

SALES & ENGINEERING DATA

RATIO SERIES: **1:1**

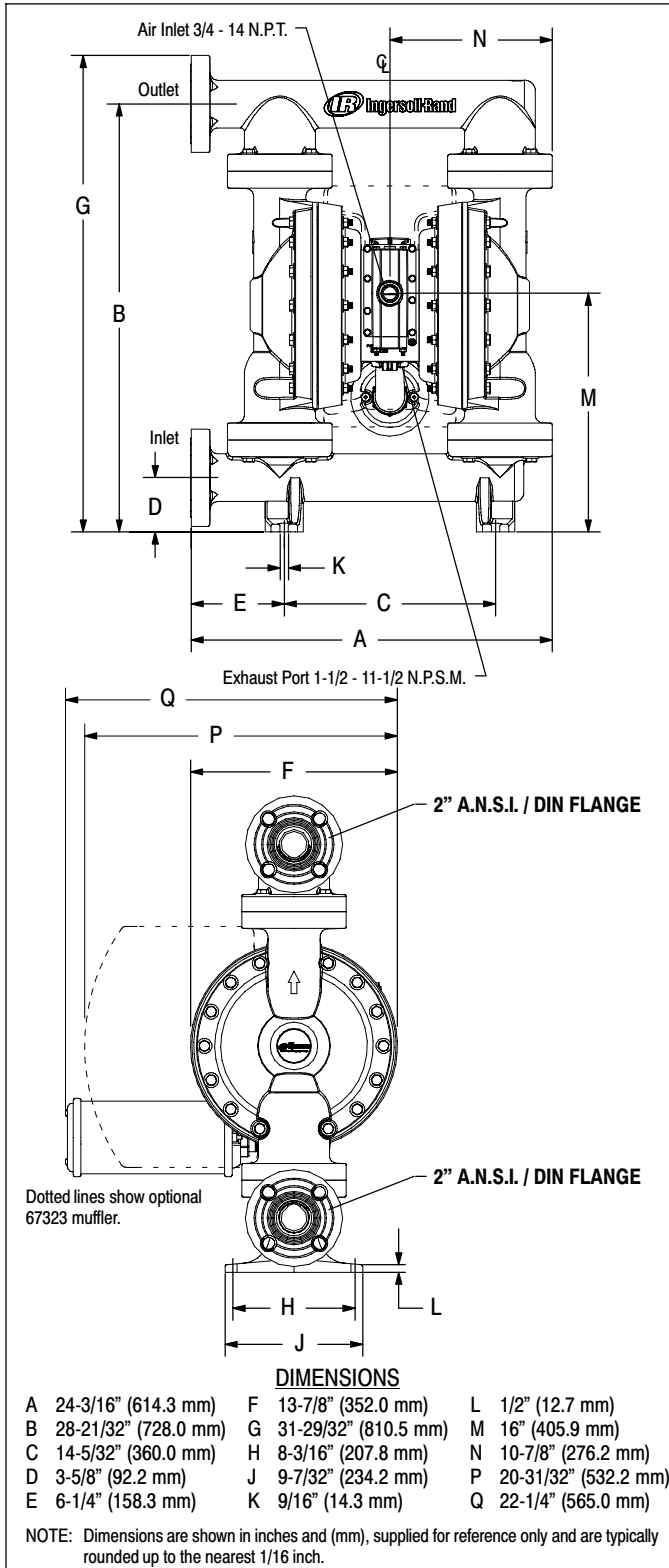
FLUID P.S.I. RANGE: **10 - 120**

RELEASED: 6-16-05
 REVISED: 9-16-11
 (REV. 04) S-1373

PD20E-FES-PXX

2" CONDUCTIVE NON-METALLIC DIAPHRAGM PUMP

DIMENSIONAL DATA



SPECIFICATIONS

CONSTRUCTION

Model Series	PD20E-FES-PXX
Pump Type	Non-Metallic, Air Operated, Double Diaphragm
Ratio	1:1
Material Inlet / Outlet	2" A.N.S.I. / DIN Flange
Air Inlet (female)	3/4 - 14 N.P.T.
Air Exhaust (female)	1-1/2 - 11-1/2 N.P.S.M.
Weight	85.3 lbs (38.7 kgs)
Air Section Service Kit	637369
Major Air Valve Assembly	637374-6
Fluid Section Service Kit	637373-XX

PD20E-FES-P
637373 -
 Diaphragm Material
 Ball Material

EXAMPLE: Model # PD20E-FES-PAA
 Fluid Section Service Kit is 637373-AA

PERFORMANCE

Air Inlet Pressure Range	20 - 120 p.s.i. (1.4 - 8.3 bar)
Maximum Material Inlet Pressure	10 p.s.i. (0.69 bar)
Fluid Pressure Range	20 - 120 p.s.i. (1.4 - 8.3 bar)
Maximum Flow Rate (flooded inlet)	184 g.p.m. (696 l.p.m.)
Displacement / Cycle @ 100 p.s.i.	1.4 gal. (5.3 lit.)
Maximum Particle Size	1/4" dia. (6.4 mm)
Maximum Temperature Limits (diaphragm / ball / seal material)	
E.P.R. / EPDM	-60° to 280° F (-51° to 138° C)
Hytrek	-20° to 150° F (-29° to 66° C)
Nitrile	10° to 180° F (-12° to 82° C)
Polypropylene	35° to 175° F (2° to 79° C)
Santoprene	-40° to 225° F (-40° to 107° C)
PTFE	40° to 225° F (4° to 107° C)
Viton	-40° to 350° F (-40° to 170° C)
Noise Level @ 70 p.s.i. - 60 c.p.m.	85.0 db(A) ^①

① The pump sound pressure level has been updated to an Equivalent Continuous Sound Level (L_{Aeq}) to meet the intent of ANSI S1. 13-1971, CAGI-PNEUROPS S5.1 using four microphone locations.

PERFORMANCE CURVES

PD20E-FES-PXX 2" CONDUCTIVE NON-METALLIC DIAPHRAGM PUMP

