



15301815
Edition 2
January 2012

Lubricator Assembly

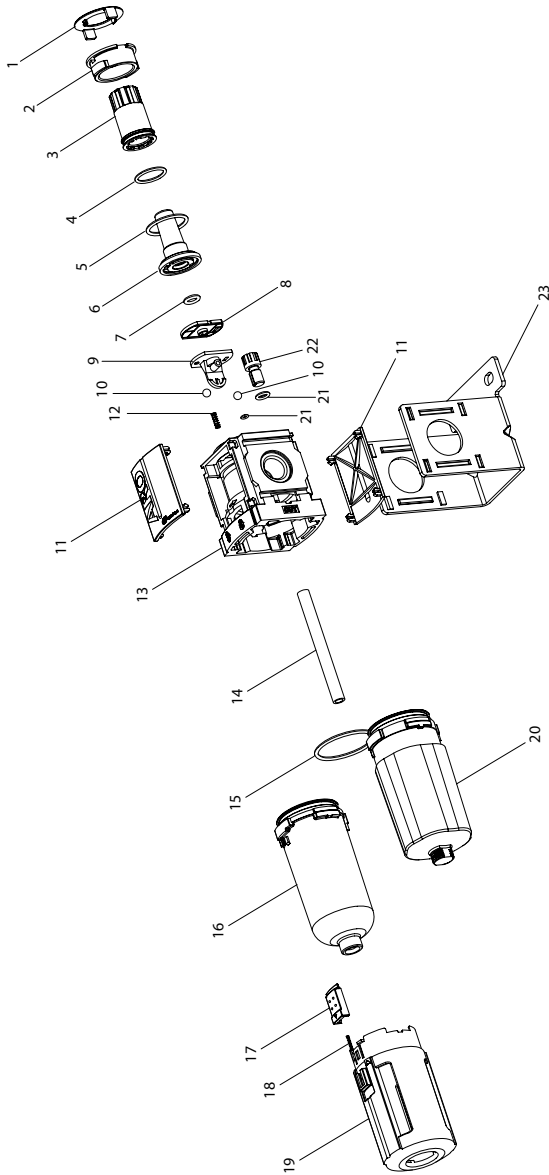
1000 Series

Parts Information



Save These Instructions

Lubricator Assembly 1000 Series L361X1-XXX Exploded Diagram



(Dwg. 15318603)

Lubricator Assembly 1000 Series L361X1-XXX Parts List

Item	Part Description	Material	Part Number
1	Scale Plate	Acetal	---
2	Sight Dome Ring		---
3	Outer Sight Dome	Polycarbonate	---
4	Outer Sight Dome O-Ring	Nitrile	---
5	Inner Sight Dome O-Ring		---
6	Inner Sight Dome	Polycarbonate	---
7	Damper Plate O-Ring	Nitrile	---
8	Damper Plate	Acetal	---
9	Damper	Nitrile	---
10	Check Ball	Steel	---
11	Filter Body Cover	Acetal	---
12	Charge Valve Spring	Stainless Steel	---
13	Lubricator Body	Aluminum	---
	1/8" BSP (L361A1-1X0)		---
	1/4" BSP (L361B1-1X0)		---
	1/8" NPT (L36111-1X0)		---
	1/4" NPT (L36121-1X0)	---	---
14	Suction Tube	Nylon	---
15	Bowl O-Ring	Nitrile	---
16	Poly Bowl (Includes Items 15, 17, 18 & 19)	Polycarbonate	104311
	(L361X1-100)		
17	Lock Button	Acetal	---
	(L361X1-100)		
18	Lock Button Spring	Stainless Steel	---
	(L361X1-100)		
19	Bowl Guard	Acetal	---
	(L361X1-100)		
20	Metal Bowl (Includes Item 15)	Aluminum	104312
	(L361X1-120)		
21	Fill Cap O-Ring	Nitrile	---
22	Fill Cap	Acetal	---
	Lubricator Repair Kit (Includes Items 1, 2, 3, 4, 5, 7, 8, 9, 14, 15, 21, 22)	Nitrile	104313
	Sight Dome Repair Kit (Includes Items 1, 2, 3, 4, 5, 6, 14)	Polycarbonate & Nitrile	104314
23	C-Bracket	Steel	104407

Parts and Maintenance

When the life of the product has expired, it is recommended that the product be disassembled, degreased and parts be separated by material so that they can be recycled.

Product repair and maintenance should only be carried out by an authorized Service Center.

Refer all communications to the nearest **Ingersoll Rand** Office or Distributor.

Related Documentation

For additional information refer to:
 Safety Information Manual 15301765.
 Product Information Manual 15301773.
 Maintenance Information Manual 15301781.

Manuals can be downloaded from www.ingersollrandproducts.com

Part No: 100400-58

www.ingersollrandproducts.com

© 2012 **Ingersoll-Rand** Company

