



15301807
Edition 1
March 2009

Regulator Assembly

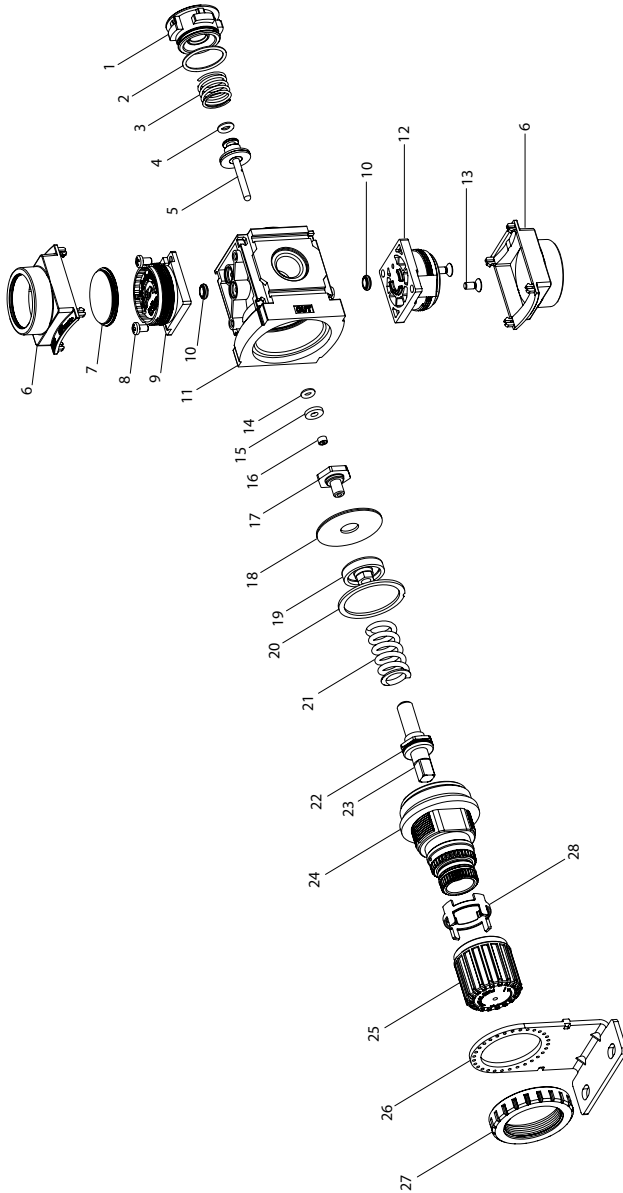
1000 Series

Parts Information



Save These Instructions

Regulator Assembly 1000 Series R371X1-XXX Exploded Diagram

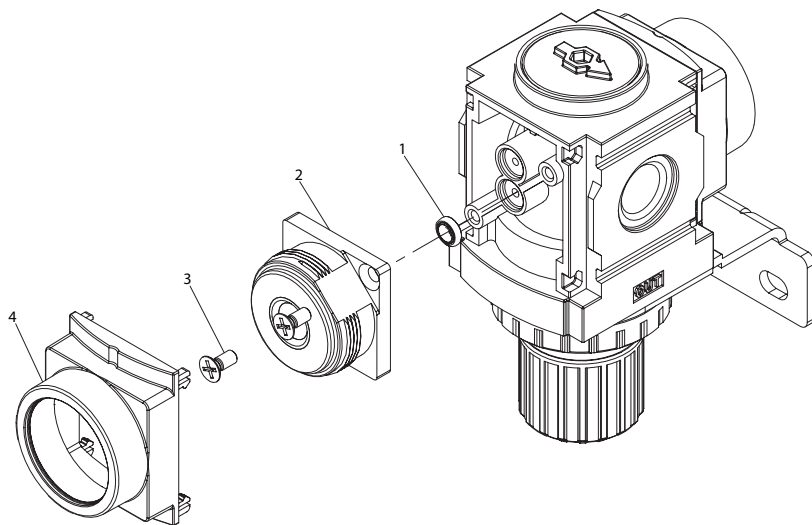


(Dwg. 15318595)

Regulator Assembly 1000 Series R371X1-XXX Parts List

Item	Part Description	Material	Part Number
1	Valve Guide	Acetal	---
2	Valve Guide O-Ring	Nitrile	---
3	Valve Spring	Stainless Steel	---
4	Valve O-Ring	Nitrile	---
5	Valve Assembly	Brass+Nitrile	---
6	Regulator Body Cover	Acetal	---
7	Gauge Window (R371X1-6X0, R371X1-7X0, R371X1-9X0)	Polycarbonate	---
8	Gauge Bolt (R371X1-6X0, R371X1-7X0, R371X1-9X0)	Steel	---
9	Gauge (includes (2) item 8) 0-140 psig (R371X1-6X0)	---	104310
10	Gauge O-Ring	Nitrile	---
11	Regulator Body 1/8" BSP (R371A1-XX0) 1/4" BSP (R371B1-XX0) 1/8" NPT (R37111-XX0) 1/4" NPT (R37121-XX0)	Aluminum	---
12	Block Cover	Acetal	---
13	Block Cover Bolt	Steel	---
14	Stem O-Ring	Nitrile	---
15	Stem O-Ring Holder	Aluminum	---
16	Relief Valve Gasket	Nitrile	---
17	Relief Valve	Acetal	---
18	Diaphragm	Nitrile+Acetal	---
19	Diaphragm Shell	Acetal	---
20	Diaphragm Ring		---
21	Adjusting Spring 0-30 psig (R371X1-4X0) 0-60 psig (R371X1-2X0) 0-140 psig (R371X1-1X0, R371X1-6X0)	Steel	104305 104306 104307
22	Adjusting Bolt	Acetal	---
23	Adjusting Nut		---
24	Bonnet		---
25	Handle	---	---
26	L-Bracket	Steel	---
27	Panel Mount Nut	Nylon	---
	No Gauge Assembly (See Page 4)	---	---
	Service Kit (Includes Items 1, 2, 3, 4, 5, 16, 17, 18, 19 & 20) Relieving (R371X1-X00) Non-Relieving (R371X1-X20)	---	104302 104303
28	Tamper Kit	Nylon	104304

No Gauge Assembly 1000 Series Exploded Diagram



(Dwg. 15318645)

No Gauge Assembly 1000 Series Parts List

Item	Part Description	Material	Part Number	Item	Part Description	Material	Part Number
1	Gauge O-Ring	Nitrile	---	3	Block Cover Bolt	Steel	---
2	Gauge Plate	Acetal	---	4	Regulator Body Cover	Acetal	---

Parts and Maintenance

When the life of the tool has expired, it is recommended that the tool be disassembled, degreased and parts be separated by material so that they can be recycled.

Tool repair and maintenance should only be carried out by an authorized Service Center.

Refer all communications to the nearest **Ingersoll Rand** Office or Distributor.

Related Documentation

For additional information refer to:

Safety Information Manual 15301765.

Product Information Manual 15301773.

Maintenance Information Manual 15301781.

Manuals can be downloaded from fluids.ingersollrand.com

Part No: 100400-57

fluids.ingersollrand.com

© 2009 **Ingersoll Rand** Company

