



15301864
Edition 2
January 2012

Lubricator Assembly

1500 Series

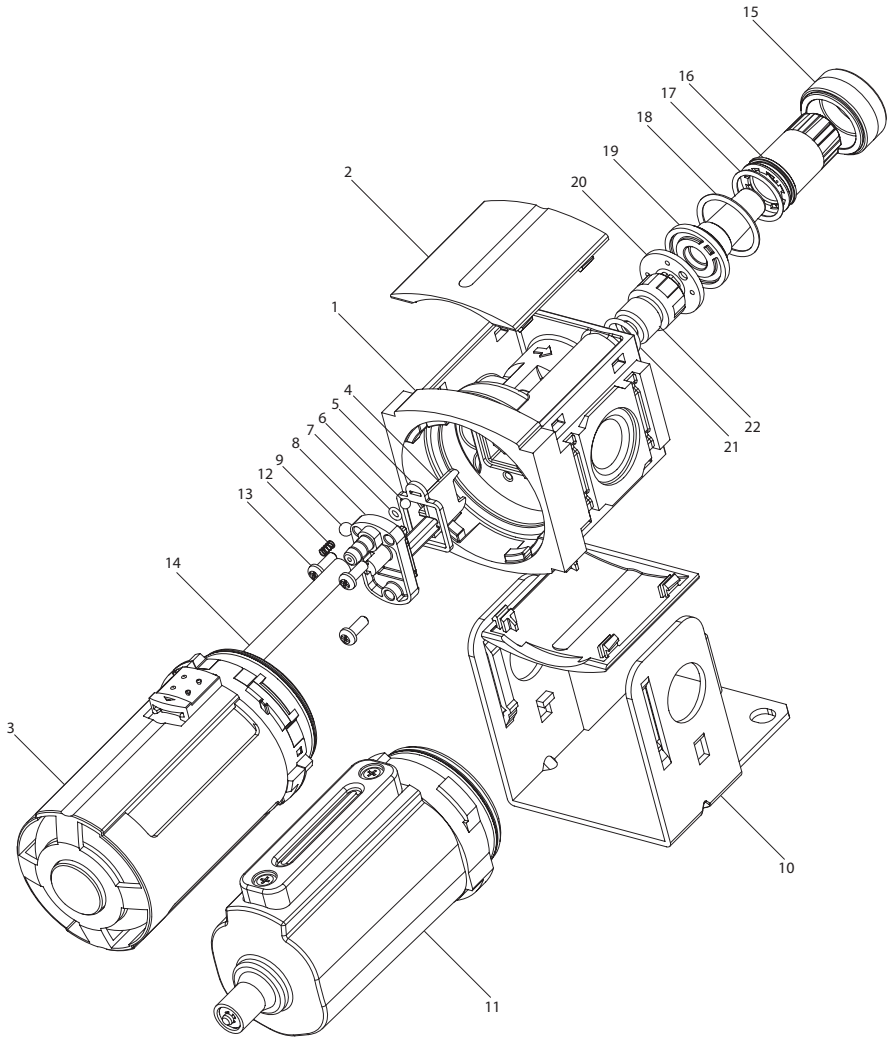
Parts Information



Save These Instructions

 **Ingersoll Rand**

Lubricator Assembly 1500 Series L362X1-XXX Exploded Diagram

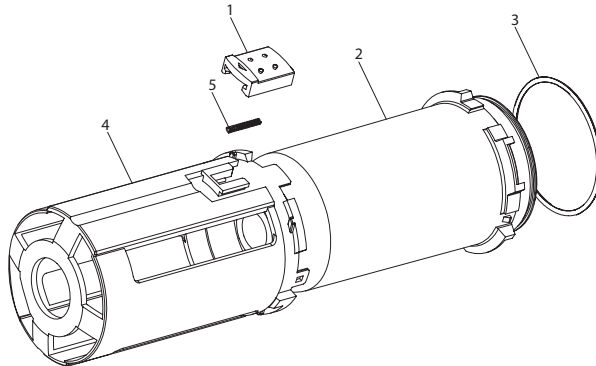


(Dwg. 15321938)

Lubricator Assembly 1500 Series L362X1-XXX Parts List

Item	Part Description	Material	Part Number
1	Lubricator Body	Aluminum	---
	1/4" NPT (L36221-XXX)		---
	3/8" NPT (L36231-XXX)		---
	1/4" BSP (L362B1-XXX)		---
	3/8" BSP (L362C1-XXX)	---	---
2	Cover	Nylon	---
3	Poly Bowl	---	---
4	Damper	Nitrile	---
5	Damper Guide Gasket		---
6	Steel Ball (Small)	Steel	---
7	Check Ball O-Ring	Nitrile	---
8	Damper Guide	Acetal	---
9	Steel Ball (Large)	Steel	---
10	C-Bracket		104408
11	Metal Bowl	---	---
12	Spring	Stainless Steel	---
13	Bolt	Steel	---
14	Siphon Tube	Urethane	---
15	Sight Dome Housing	Nylon	---
16	Outer Sight Dome		---
17	Outer Sight Dome O-Ring	Nitrile	---
18	Inner Sight Dome O-Ring		---
19	Inner Sight Dome	Nylon	---
20	Nozzle Sheet	Nitrile	---
21	Fill Cap O-Ring		---
22	Fill Cap	Acetal	---
	Service Kit (Includes Items 4, 5, 6, 7, 8, 15, 16, 17, 18, 19, 21, 22 and Bowl O-Ring)	---	104441
	Sight Dome Repair Kit (Includes Items 15, 16, 17, 18, 19)	---	104442

Poly Bowl Assembly 1500 Series L362X1-XXX Exploded Diagram

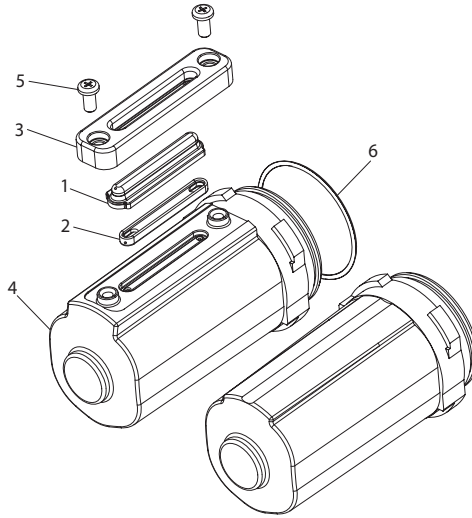


(Dwg. 15300072)

Poly Bowl Assembly 1500 Series L362X1-XXX Parts List

Item	Part Description	Material	Part Number
1	Lock Button	Nylon	---
2	Poly Bowl (Includes Items 1, 3, 4 and 5)	Polycarbonate	104439
3	Bowl O-Ring	Nitrile	---
4	Bowl Guard	Nylon	---
5	Lock Button Spring	Stainless Steel	---

Metal Bowl Assembly 1500 Series L362X1-XXX Exploded Diagram



(Dwg. 15300080)

Metal Bowl Assembly 1500 Series L362X1-XXX Parts List

Item	Part Description	Material	Part Number
1	Sight Glass	Nylon	---
2	Sight Glass Gasket	Nitrile	---
3	Plate Cover	Aluminum	---
4	Metal Bowl (Includes Item 6)		
	with Sight Glass (Includes Items 1, 2, 3, 5)	Aluminum	104440
	w/o Sight Glass		104483
5	Bolt	Steel	---
6	Bowl O-Ring	Nitrile	---

Parts and Maintenance

When the life of the tool has expired, it is recommended that the tool be disassembled, degreased and parts be separated by material so that they can be recycled.

Tool repair and maintenance should only be carried out by an authorized Service Center.

Refer all communications to the nearest **Ingersoll Rand** Office or Distributor.

Related Documentation

For additional information refer to:
Product Safety Information Manual 15301765.
Product Information Manual 15301773.
Maintenance Information Manual 15301781.

Manuals can be downloaded from www.ingersollrandproducts.com

Part No. 100400-63

www.ingersollrandproducts.com

© 2012 **Ingersoll-Rand** Company

 **Ingersoll Rand**