

# SALES AND ENGINEERING DATA

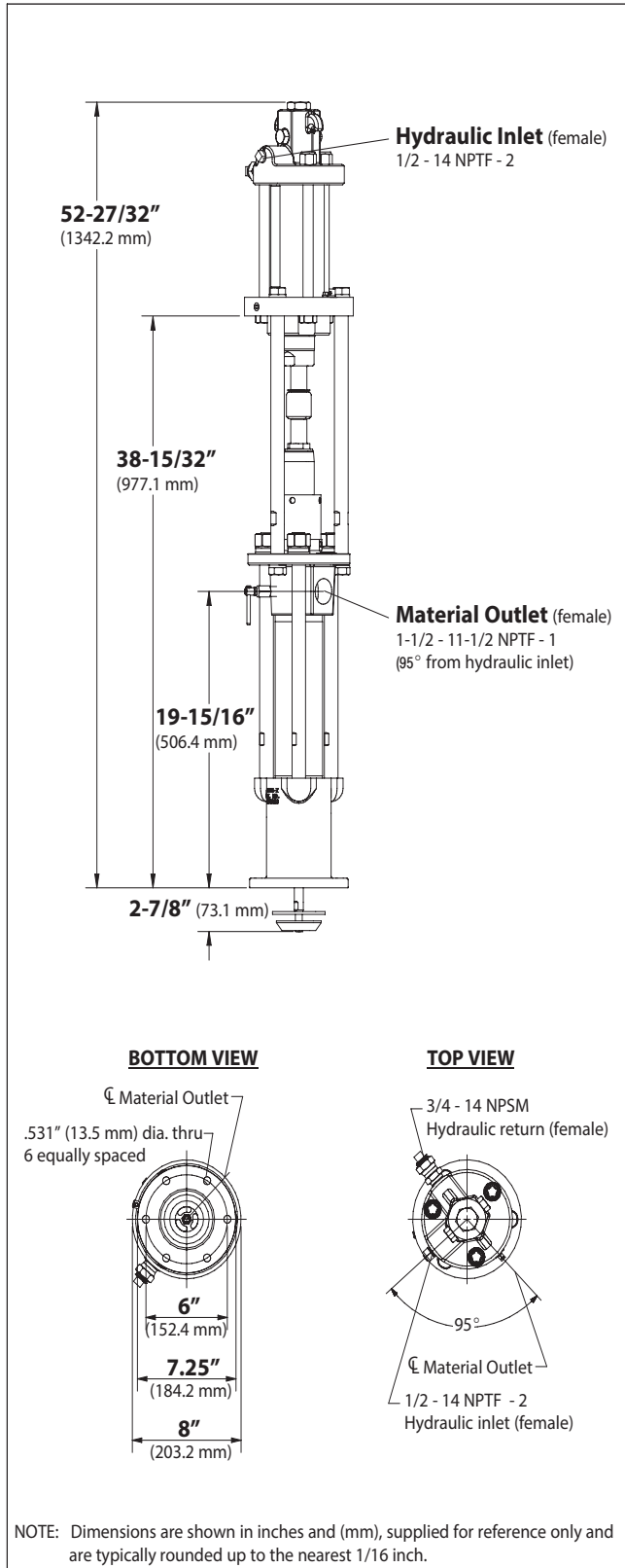
RATIO: **1.2:1**  
SERIES:

FLUID PSIG: **60 - 2400**  
RANGE:

RELEASED: 9-21-01  
REVISED: 8-18-17  
(REV: G) S-1025

## 650941-XXE-C EXTRUSION PUMP

### DIMENSIONAL DATA



### SPECIFICATIONS

#### CONSTRUCTION

**Model Series** (refer to option chart) ..... 650941-XXE-C  
**Pump Type** ..... Hydraulic Operated,  
Extrusion, Double Acting Pump  
**Ratio** ..... 1.2:1  
**Hydraulic Motor** ..... 67314-B  
**Motor Repair Kit** ..... 637450  
**Motor Size** ..... 4.125 sq." (26.6 sq. cm)  
**Stroke** ..... 6" (15.2 cm)  
**Hydraulic Inlet (female)** ..... 1/2 - 14 NPTF - 2  
**Hydraulic Return (female)** ..... 3/4 - 14 NPSM  
**Lower Pump End Series** ..... 66236-XXE-B  
**Lower Pump Repair Kit** ..... 637128-XX4-B  
**Packing Options:**

3 - Glass filled PTFE  
C - UHMW-PE  
F - UHMW-PE / Leather staggered upper • UHMW-PE lower  
J - Polyurethane upper S UHMW-PE lower  
P - UHMW-PE / Glass filled PTFE staggered upper • UHMW-PE lower  
R - Glass filled PTFE / UHMW-PE staggered upper • Glass filled PTFE lower

**Material Outlet (female)** ..... 1-1/2 - 11-1/2 NPTF - 1

#### MATERIALS OF CONSTRUCTION

**Outlet Body** ..... Ductile Iron, Nickel plated  
**Cylinder** ..... Carbon Steel, Nickel plated  
**Plunger** ..... Carbon Steel, Chrome plated  
**Upper Check** ..... 440 Stainless Steel  
**Upper Seat** ..... 440 Stainless Steel  
**Lower Check** ..... 440 Stainless Steel  
**Lower Seat** ..... 440 Stainless Steel  
**Inlet Body** ..... Ductile Iron, Nickel plated  
**Weight** ..... 144 lbs (65.3 kgs)

#### PERFORMANCE

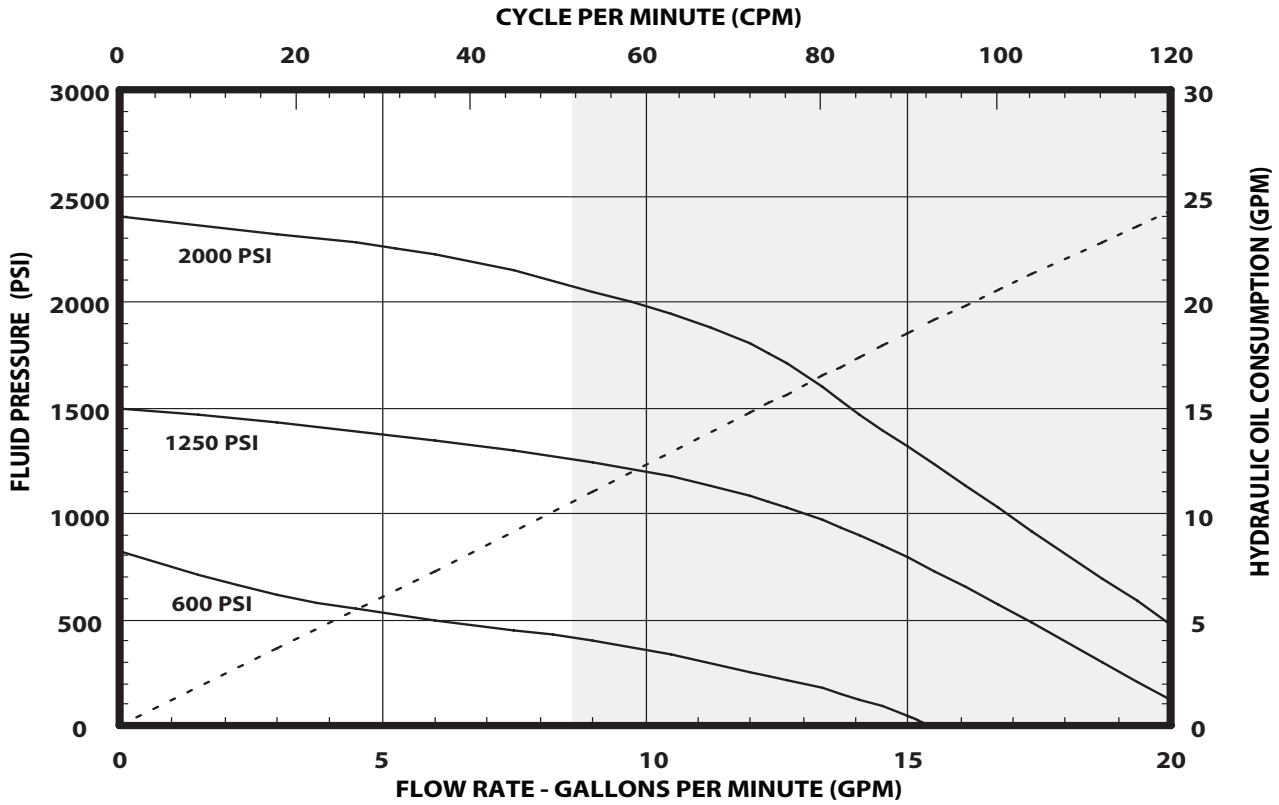
**Hydraulic Inlet Pressure Range** ..... 50 - 2000 psig (3.4 - 137.9 bar)  
**Fluid Pressure Range** ..... 60 - 2400 psig (4.1 - 165.5 bar)  
**Required H-power @ 50 cpm** ..... 3.2 @ 1200 psig (82.8 bar)  
**Hydraulic flow req'd @ 50 cpm** ..... 8.7 gpm (32.9 lpm)  
**Maximum Rec'd Cycles / Minute** ..... 50  
**Displacement Per Cycle** ..... 40.2 In<sup>3</sup> (659 cc)  
**Cycles Per Gallon** ..... 5.7  
**Flow @ 50 Cycles / Minute** ..... 8.7 gpm (33.1 lpm)  
**Noise Level** ..... N / A  
**Maximum Temperature Limit** ..... 130° F (54° C)

#### ACCESSORIES:

62151 Wall Mount Bracket  
65139 Floor Mount

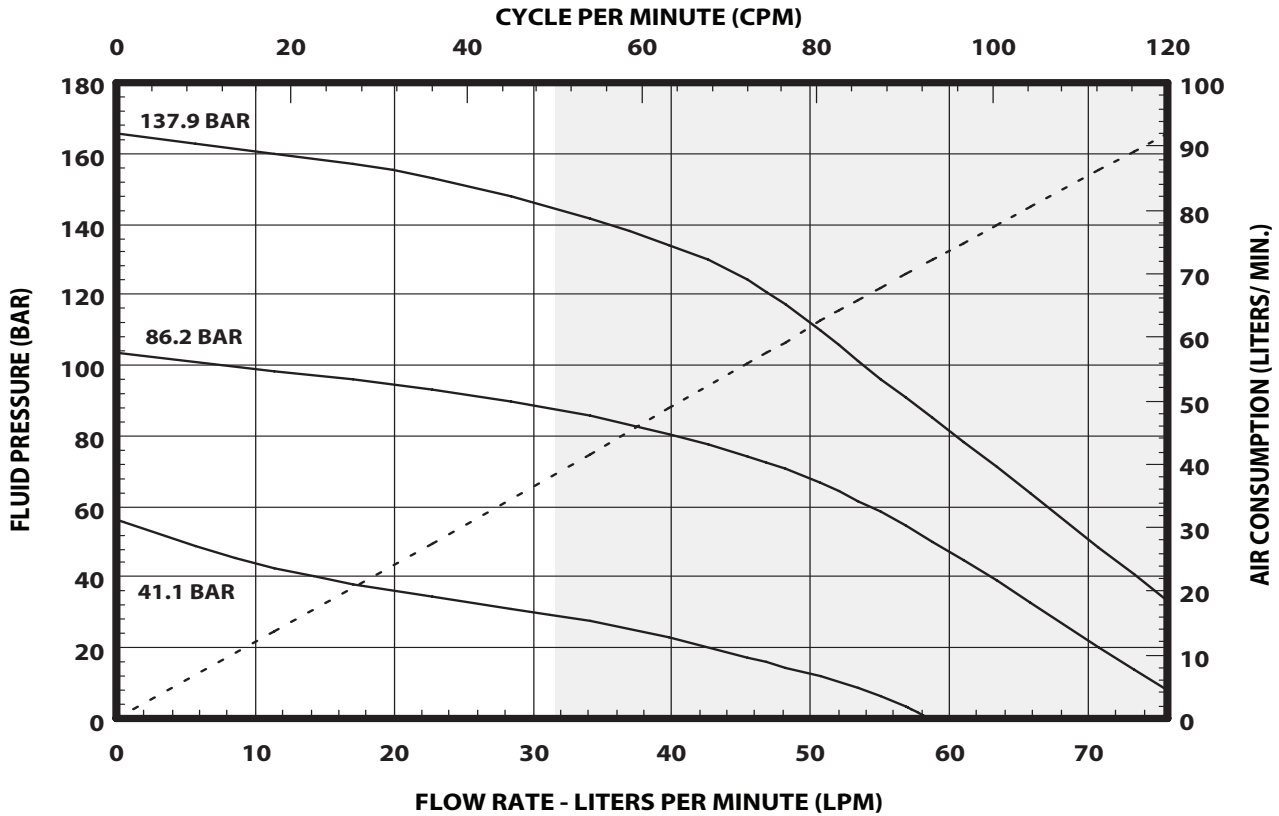
# PERFORMANCE CURVES

## PERFORMANCE BASED ON 30wt. OIL (100cSt) AT 40°C TEMPERATURE



NOTE: NON SHADED AREA OF THE GRAPH REPRESENTS RECOMMENDED OPERATING RANGE

## PERFORMANCE BASED ON 30wt. OIL (100cSt) AT 40°C TEMPERATURE



NOTE: NON SHADED AREA OF THE GRAPH REPRESENTS RECOMMENDED OPERATING RANGE