

SALES & ENGINEERING DATA

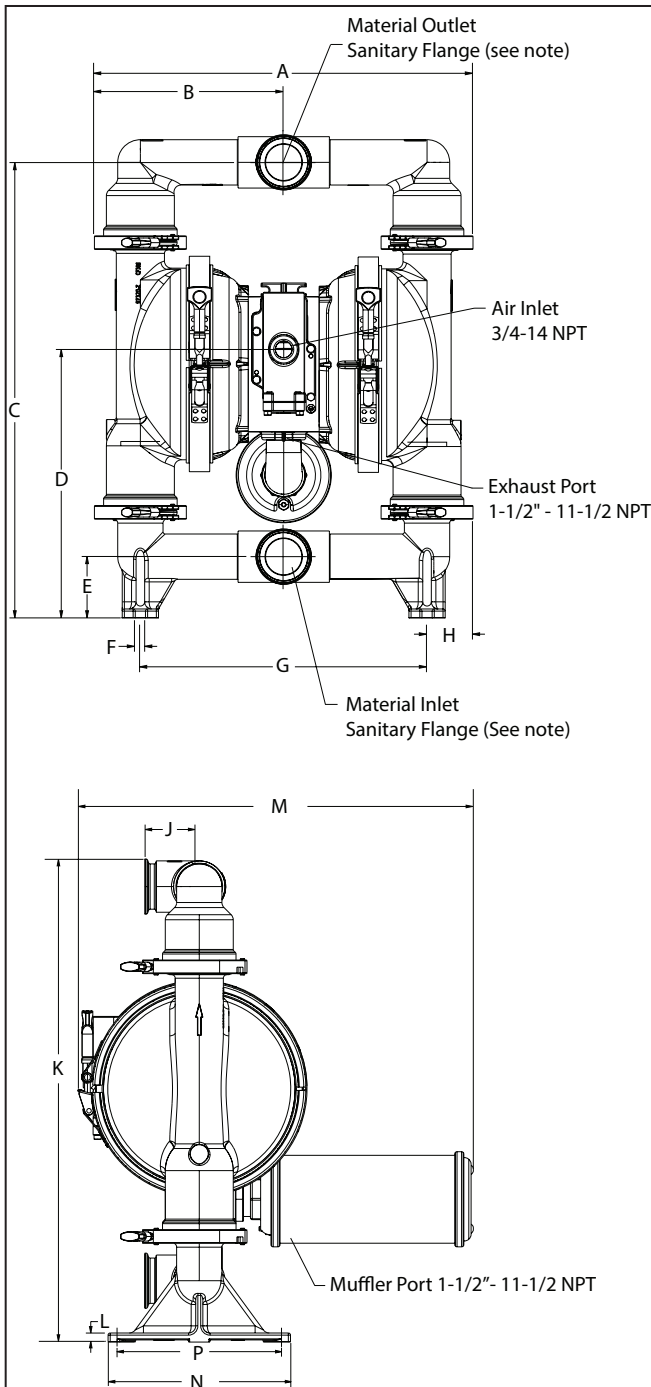
RATIO SERIES: **1:1**

FLUID PSIG RANGE: **20 - 120**

SX20X-XXX-XXX-AXXXX 2" Metallic Diaphragm Pump

RELEASED: 11-28-14
REVISED: 11-20-15
(REV: B) S-1565

DIMENSIONAL DATA



DIMENSIONS

| | | |
|-----------------------|-----------------------|-----------------------|
| A - 20.88" (530.4 mm) | F - 0.56" (14.2 mm) | L - 0.50" (12.70 mm) |
| B - 10.44" (265.2 mm) | G - 15.81" (401.6 mm) | M - 21.60" (548.6 mm) |
| C - 25.1" (637.5 mm) | H - 2.53" (64.3 mm) | N - 10.06" (255.5 mm) |
| D - 14.80" (375.9 mm) | J - 3.00" (76.2 mm) | P - 9.06" (230.1 mm) |
| E - 3.38" (85.9 mm) | K - 26.62" (676.1 mm) | |

NOTE: Dimensions are shown in inches and (mm) and are supplied for reference only.

NOTE: Sanitary Flange dimensions per ASME BPE-2012 2-1/2 inch and ISO 2852-1993 63.5mm.

SPECIFICATIONS

Model Series SX20X-XXX-XXX-AXXXX
Pump Type Metallic, air operated,
double diaphragm pump
Ratio 1:1

Weight
SX20S-XXX-XXX-AXXXX 166.45 lbs (75.5 kgs)
SX20R-XXX-XXX-AXXXX 141.76 lbs (64.3 kgs)

Fluid Section Service Kit 637494-XX

Air Section Service Kit
637497 for models SX20S-XXX-XXX-AXXXX
637497-1 for models SX20R-XXX-XXX-AXXXX

Major Air Valve Assembly Service Kit
637498 for models SX20S-XXX-XXX-AXXXX
637498-1 for models SX20R-XXX-XXX-AXXXX

SX20X-XXX-XXX-AXXXX

Example: Models SD20S-CSS-S M M-A 637494-~~XXX~~
Fluid Section Service Kit # 637494-MM Ball Diaphragm

PERFORMANCE

Maximum Air Inlet Pressure 120 psig (8.3 bar)
Maximum Material Inlet Pressure .. 10 psig (0.69 bar)
Maximum Outlet Pressure 120 psig (8.3 bar)
Maximum Flow Rate 195 gpm (738 lpm)
Displacement / Cycle @ 100 psig ... 1.3 gal. (4.9 lit.)
Maximum Particle Size 1/4" dia. (6.4 mm)
Maximum Temperature Limits (diaphragm / ball / seal / seat material)
Santoprene® -40° to 225° F (-40° to 107° C)
PTFE 40° to 225° F (4° to 107° C)
Noise Level @ 70 psig - 60 cpm 82.5 dB(A)①

① The pump sound pressure level has been updated to an Equivalent Continuous Sound Level (L_{Aeq}) to meet the intent of ANSI S1.13-1971, CAGI-PNEUROP S5.1 using four microphone locations.

PERFORMANCE CURVES

SX20X-XXX-XXX-AXXXX 2" METALLIC DIAPHRAGM PUMP

