

SALES & ENGINEERING DATA

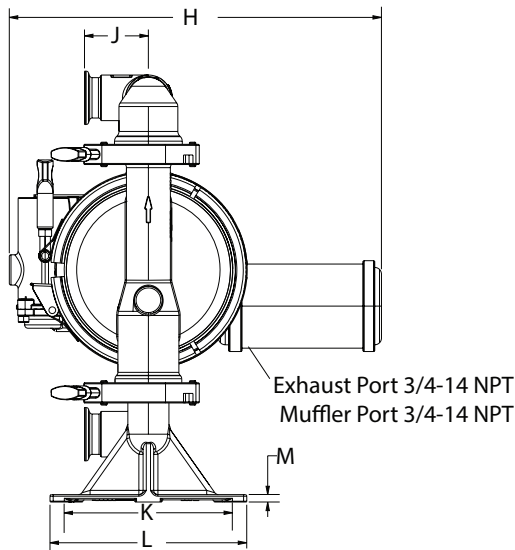
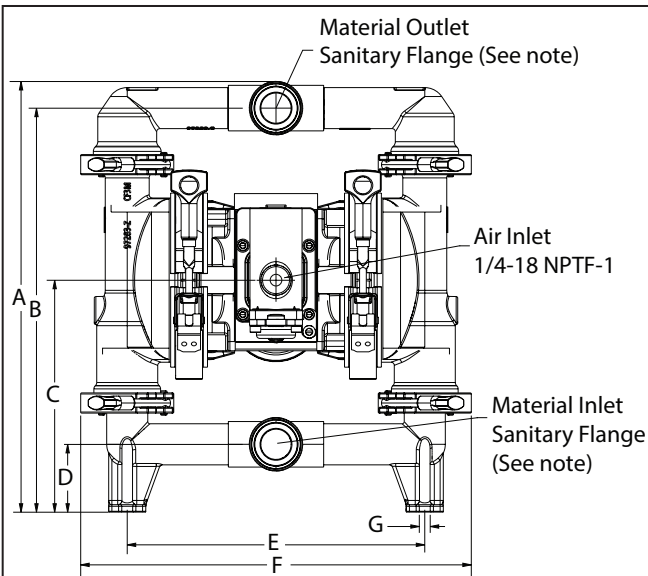
RATIO SERIES: **1:1**

FLUID PSIG RANGE: **20 - 120**

RELEASED: 9-10-14
 REVISED: 11-20-15
 (REV: C) S-1564

SX10X-XXX-XXX-AXXXX 1" Metallic Diaphragm Pump

DIMENSIONAL DATA



DIMENSIONS

A - 16.01" (406.7 mm)	F - 14.52" (368.8 mm)	L - 7.31" (185.7 mm)
B - 15.02" (381.5 mm)	G - 0.41" (10.4 mm)	M - 0.28" (7.1 mm)
C - 8.62" (219.0 mm)	H - 13.84" (351.5 mm)	
D - 2.52" (64.0 mm)	J - 2.37" (60.2 mm)	
E - 11.06" (281.0 mm)	K - 6.25" (158.8 mm)	

NOTE: Dimensions are shown in inches and (mm) and are supplied for reference only.

NOTE: Sanitary flange dimensions per ASME BPE-2012 1-1/2 inch and ISO 2852-1993 38mm.

SPECIFICATIONS

Model Series SX10X-XXX-XXX-AXXXX
Pump Type Metallic, air operated, double diaphragm pump
Ratio 1:1

Weight
 SX10S-XXX-XXX-AXXXX 58.4 lbs (26.5 kgs)
 SX10R-XXX-XXX-AXXXX 47.33 lbs (21.47 kgs)

Fluid Section Service Kit 637493-XX

Air Section Service Kit 637495

Major Air Valve Assembly Service Kit

637496 for models SX10S-XXX-XXX-AXXXX

637496-1 for models SX10R-XXX-XXX-AXXXX

SX10X-XXX-XXX-AXXXX

Example: Models SD10S-CSS-S M M-A 637493-~~XX~~
 Fluid Section Service Kit # 637493-MM Ball-J L-Diaphragm

PERFORMANCE

Maximum Air Inlet Pressure 120 psig (8.3 bar)

Maximum Material Inlet Pressure ... 10 psig (0.69 bar)

Maximum Outlet Pressure 120 psig (8.3 bar)

Maximum Flow Rate 54 gpm (204.4 lpm)

Displacement / Cycle @ 100 psig ... 0.258 gal (0.98 lit)

Maximum Particle Size 1/8" dia (3.2 mm)

Maximum Temperature Limits (diaphragm / ball / seal / seat material)

Santoprene® -40° to 225° F (-40° to 107° C)

PTFE 40° to 225° F (4° to 107° C)

Noise Level @ 70 psig, 60 cpm 80.6 dB(A)①

① The pump sound pressure level has been updated to an Equivalent Continuous Sound Level (LAeq) to meet the intent of ANSI S1.13-1971, CAGI-PNEUROP S5.1 using four microphone locations.

PERFORMANCE CURVES

SX10X-XXX-XXX-AXXXX 1" METALLIC DIAPHRAGM PUMP

