

SALES & ENGINEERING DATA

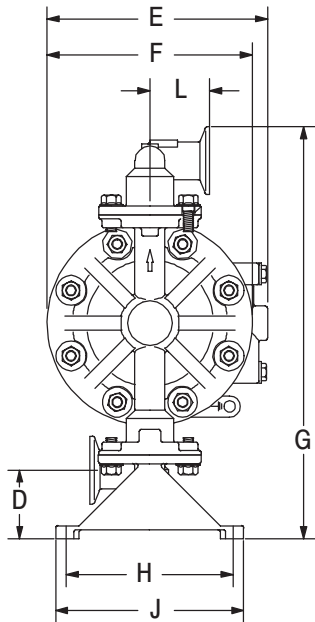
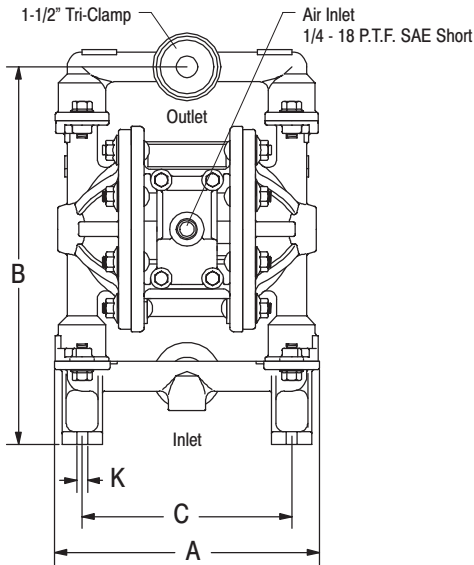
RATIO SERIES: **1:1**

FLUID P.S.I. RANGE: **20 - 100**

PM05P-CSS-XXX-A02 1/2" DIAPHRAGM PUMP

RELEASED: 1-3-02
REVISED: 5-17-02
S-1244

DIMENSIONAL DATA



DIMENSIONS

A - 7-11/16" (195.2 mm)	E - 6-7/16" (163.5 mm)	J - 5-1/2" (139.7 mm)
B - 11-1/16" (280.4 mm)	F - 6" (152.4 mm)	K - 5/16" (7.9 mm)
C - 6-1/8" (155.6 mm)	G - 12-1/32" (305.6 mm)	L - 1-3/4" (44.5 mm)
D - 2" (50.8 mm)	H - 4-7/8" (123.8 mm)	

NOTE: Dimensions are shown in inches and (mm), supplied for reference only and are typically rounded up to the nearest 1/16 inch.

SPECIFICATIONS

CONSTRUCTION

Model Series	PM05P-CSS-XXX-A02
Pump Type	Air Operated, Double Diaphragm
Ratio	1:1
Material Inlet / Outlet	1-1/2" Tri-Clamp
Air Inlet (female)	1/4 - 18 P.T.F. SAE Short
Air Exhaust (standard)	internal
(optional) (female)	3/8 - 18 N.P.T.F. - 1
Weight	14.75 lbs (6.7 kgs)
Air Section Service Kit	637141
Fluid Section Service Kit	637140-XX

PM05P - CSS - X - A02

637140 -

Diaphragm Material
Ball Material

EXAMPLE: Model PM05P-CSS-SAA-A02
Fluid Section Service Kit is 637140-AA

PERFORMANCE

Air Inlet Pressure Range	20 - 100 p.s.i. (1.4 - 6.9 bar)
Maximum Material Inlet Pressure	10 p.s.i.g. (0.69 bar)
Fluid Pressure Range	20 - 100 p.s.i. (1.4 - 6.9 bar)
Maximum Flow Rate (flooded inlet)	13 g.p.m. (49.2 l.p.m.)
Air Consumption	1 c.f.m. / gallon (approx.)
Maximum Particle Size	3/32" dia. (2.4 mm)
Maximum Temperature Limits	
models PM05P-CSS-PXX-A02	150° F (66° C)
models PM05P-CSS-SXX-A02	200° F (93° C)
Displacement / Cycle @ 100 p.s.i.	0.040 gal. (0.15 lit.)
Noise Level @ 70 p.s.i., 60 c.p.m. ^①	71.1 db(A) ^②

Notes:

- ① Tested with 66972 muffler installed.
- ② The pump sound pressure level has been updated to an Equivalent Continuous Sound Level (L_{Aeq}) to meet the intent of ANSI S1. 13-1971, CAGI-PNEUROPS S5.1 using four microphone locations.

ACCESSORIES:

66073-1 Air Line Connection Kit
93092 Plate*
93107 Gasket*
93110 Muffler*

* External muffler for piped exhaust applications.



PERFORMANCE CURVES

PM05P-CSS-XXX-A02 1/2" DIAPHRAGM PUMP

