



15301989
Edition 1
March 2009

Combination Assembly

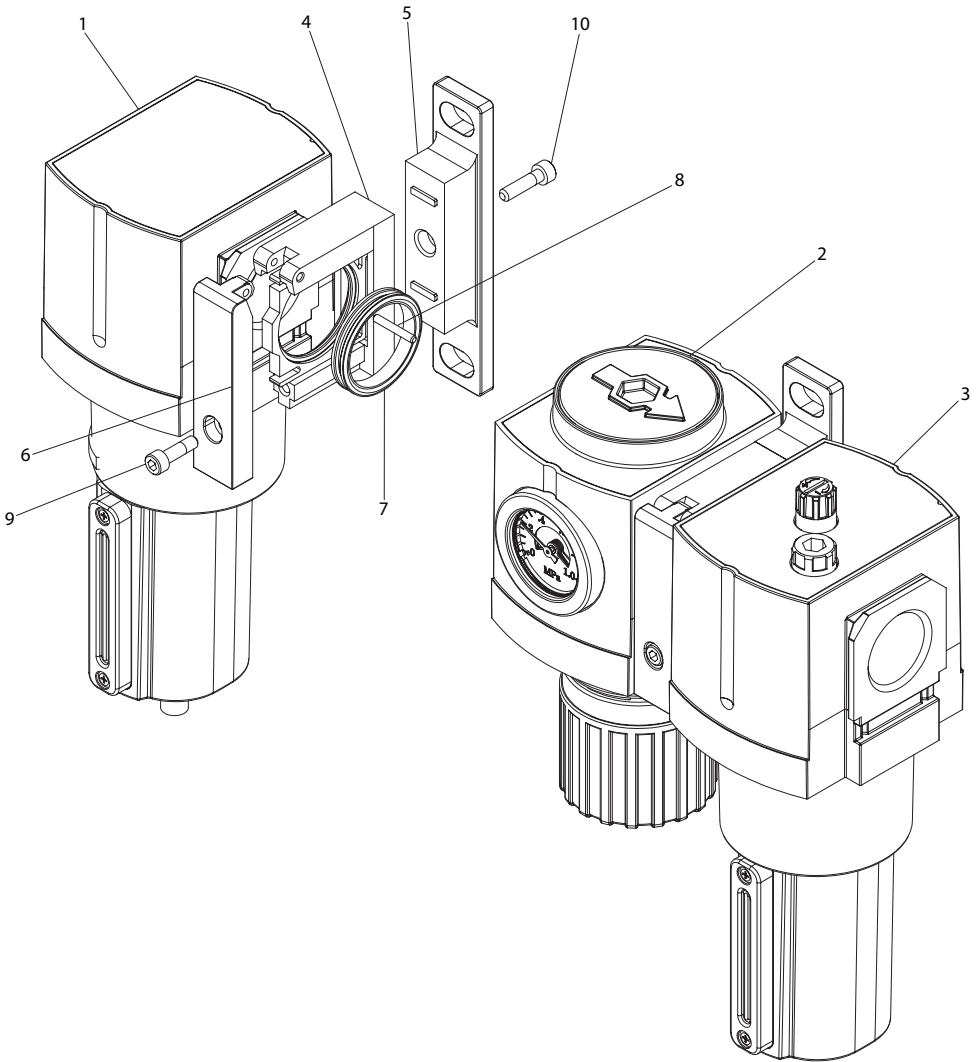
3000 Series

Parts Information



Save These Instructions

Combination Assembly 3000 Series C384X1-XXX Exploded Diagram



(Dwg. 15322027)

Combination Assembly 3000 Series C384X1-XXX Parts List

Item	Part Description	Material	Part Number
1	Filter (See Part List 15301948)	---	F354XX-XXX
2	Regulator (See Part List 15301955)	---	R374X1-XXX
3	Lubricator (See Part List 15301963)	---	L364X1-XXX
*	Piggyback (See Part List 15301971)	---	P394XX-XXX
4	Spacer Housing	Aluminum	104402
5	T-Bracket		
6	Spacer Cover		
7	Spacer "O" Ring	Nitrile	
8	Pin	Stainless Steel	
9	Bolt	Steel	
10	T-Bracket Bolt		

* Not Illustrated.

Parts and Maintenance

When the life of the tool has expired, it is recommended that the tool be disassembled, degreased and parts be separated by material so that they can be recycled.

Tool repair and maintenance should only be carried out by an authorized Service Center.

Refer all communications to the nearest **Ingersoll Rand** Office or Distributor.

Related Documentation

For additional information refer to:

Product Safety Information Manual 15301765.

Product Information Manual 15301773.

Maintenance Information Manual 15301781.

Manuals can be downloaded from fluids.ingersollrand.com.

Part No. 100400-75

fluids.ingersollrand.com

© 2009 **Ingersoll Rand** Company

