

66516-() and 66517-() FOLLOWER ASSEMBLY

RELEASED: 4-7-00
REVISED: 1-20-17
(REV: D)

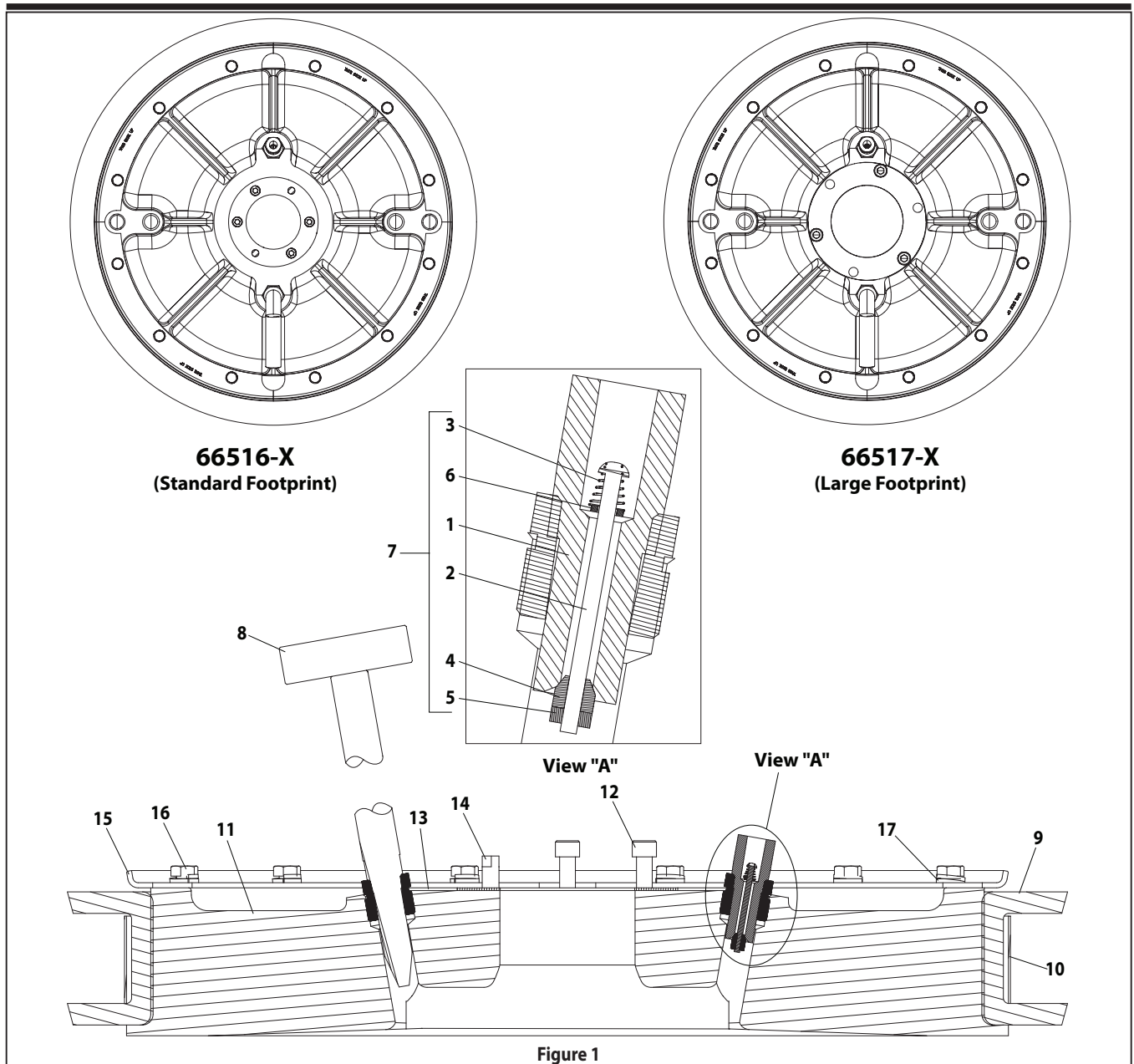


Figure 1

Item	Description (size)	Qty	Part No.
1	Check Valve Body	(1)	97489
2	Machine Screw (#5-40 x 2")	(1)	Y8-366-S
3	Spring	(1)	31125
4	Valve Nut	(1)	90553
5	Nut (#5 - 40)	(1)	Y22-5-S
6	Spring Stop	(1)	90554
7	Check Valve Assembly	(1)	97497
8	Vent Plug Assembly	(1)	66045
9	Seal (models 6651X and 6651X - 5) (Nitrile)	(1)	92334
	(models 6651X - 1 and 6651X - 6) (Polyurethane)	(1)	92122
	(models 6651X - 2 and 6651X - 7) (E.P.R.)	(1)	92132
10	Follower Band	(1)	92335

Item	Description (size)	Qty	Part No.
11	Follower Plate (models 66516, 66516-1, -2)	(1)	92337
	(models 66516-5, -6, -7)	(1)	92337-1
	(models 66517, 66517-1, -2)	(1)	92338
	(models 66517-5, -6, -7)	(1)	92338-1
12	Cap Screw (models 66516 - X) (3/8" - 16 x 1-1/4")	(4)	Y99-63-C
	(models 66517 - X) (1/2"-13 x 1-1/2")	(3)	Y99-84-C
13	Gasket (models 66516 - X)	(1)	90552
	(models 66517 - X)	(1)	92339
14	Stud (models 66516 - X Only)	(2)	91263
15	Follower Section Ring	(4)	91034
16	Cap Screw (3/8" - 16 x 5/8")	(12)	Y6-62-C
17	Lock Washer (3/8")	(12)	Y14-616

PN 97999-854

INGERSOLL RAND COMPANY LTD
209 NORTH MAIN STREET - BRYAN, OHIO 43506

☎ (800) 495-0276 • FAX (800) 892-6276
arozone.com

© 2017

CCN 99813511

ARO 