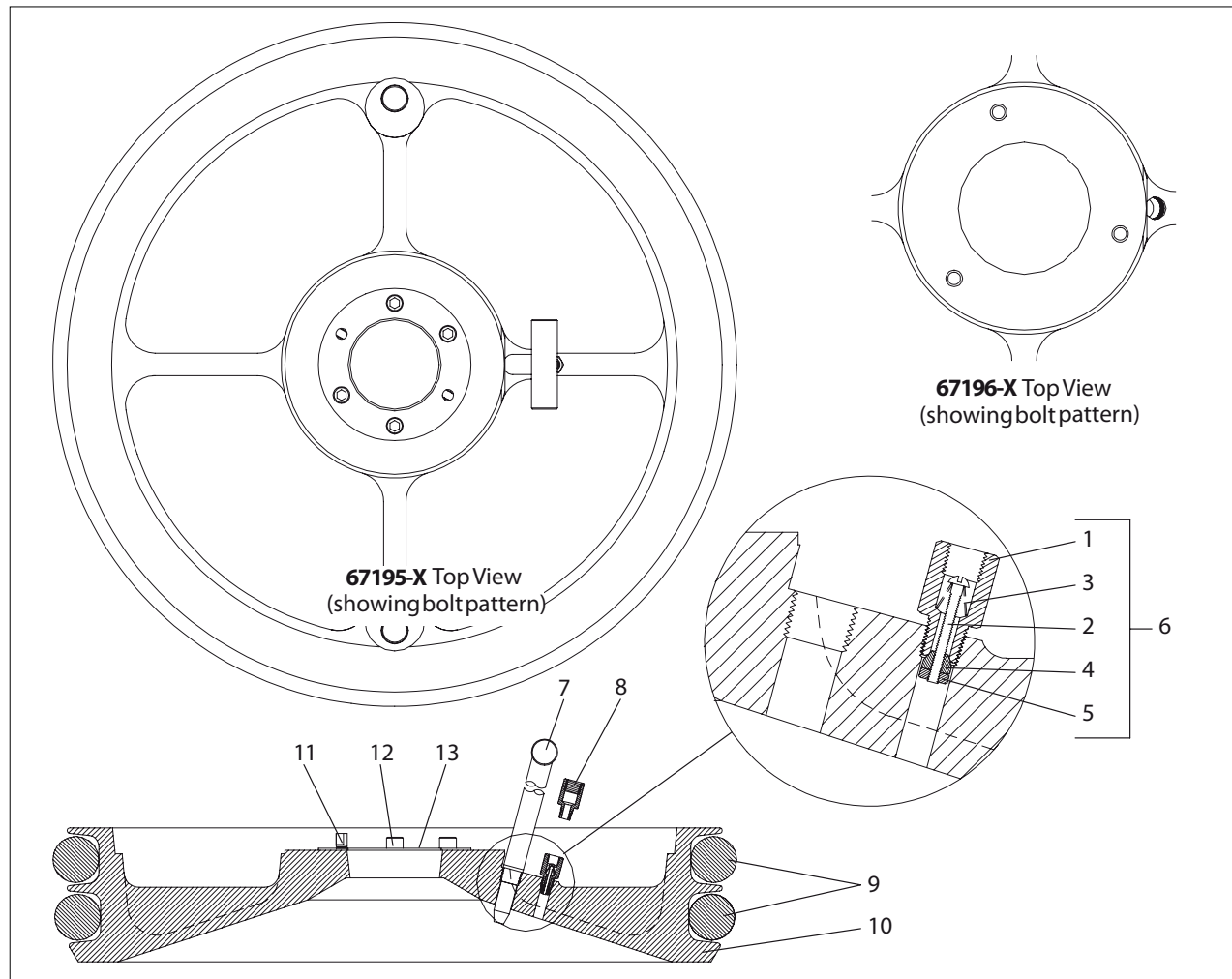


RELEASED: 3-12-99
REVISED: 5-25-10
(REV. G)

67195-() and 67196-() FOLLOWER ASSEMBLY



Item	Description (size)	Qty	Part No.
1	Check Valve Body	(1)	93987
2	Machine Screw (#4 - 40 x 1")	(1)	Y8-251-S
3	Spring	(1)	93989
4	Valve Nut	(1)	93986
5	Nut (#4 - 40)	(1)	Y22-4-S
6	Valve Assembly	(1)	67130
7	Vent Plug Assembly	(1)	67194
8	Hose Adapter (1/4 - 18 N.P.T.F. female)	(1)	32377
9	Seal (models 6719X-1 & -5) (Neoprene)	(2)	97201
	(models 6719X-2 & -6) (E.P.R.)	(2)	97204
	(models 6719X-3 & -7) (Viton)	(2)	97202
	(models 6719X-8 & -9) (Neoprene)	(2)	97203

Item	Description (size)	Qty	Part No.
10	Follower Plate (models 67195-1, -2, -3, -8)	(1)	94909
	(PTFE coated, models 67195-5, -6, -7, -9)	(1)	94909-1
	(models 67196-1, -2, -3, -8)	(1)	94910
	(PTFE coated, models 67196-5, -6, -7, -9)	(1)	94910-1
11	Stud (models 67195-X only)	(2)	91263
12	Cap Screw (models 67195-X) (3/8" - 16 x 1-1/4")	(4)	Y99-63-C
	(models 67196-X) (1/2" - 13 x 1-1/2")	(3)	Y99-84-C
13	Gasket (models 67195-X)	(1)	90552
	(models 67196-X)	(1)	92339

PN 97999-841

INGERSOLL RAND COMPANY LTD
209 NORTH MAIN STREET - BRYAN, OHIO 43506
☎ (800) 495-0276 • FAX(800) 892-6276
www.ingersollrandproducts.com

© 2010

CCN 99797714

ARO

IR Ingersoll Rand
Industrial Technologies