

OPERATOR'S MANUAL

65184X-X

MANUAL DEL OPERARIO
MANUEL DE L'UTILISATEUR

Released / Liberado / Decharge: 2-13-95
Revised / Revisado / Revise: 5-26-10
(Rev. J)

FOLLOWER PLATE / PLACA EMPUJADORA / PLAQUE SUIVEUSE

(For 5 gallon and metric tapered or straight pails) (single lip polyurethane or nitrile wiper)
(Para baldes métricos o de 5 galones ahusados o rectos) (limpiador de labio único de poliuretano o nitrilo)
(Pour les seaux de 5 gallons et les seaux métriques coniques ou droits) (racleurs en polyuréthane ou nitrile à lèvres simple)

651840-X
(Carbon Steel)
(Acero al Carbón)
(Acier au Carbone)

651841-1
(Stainless Steel)
(Acero Inoxidable)
(Acier Inoxydable)

651842-1
(Stainless Steel)
(Acero Inoxidable)
(Acier Inoxydable)

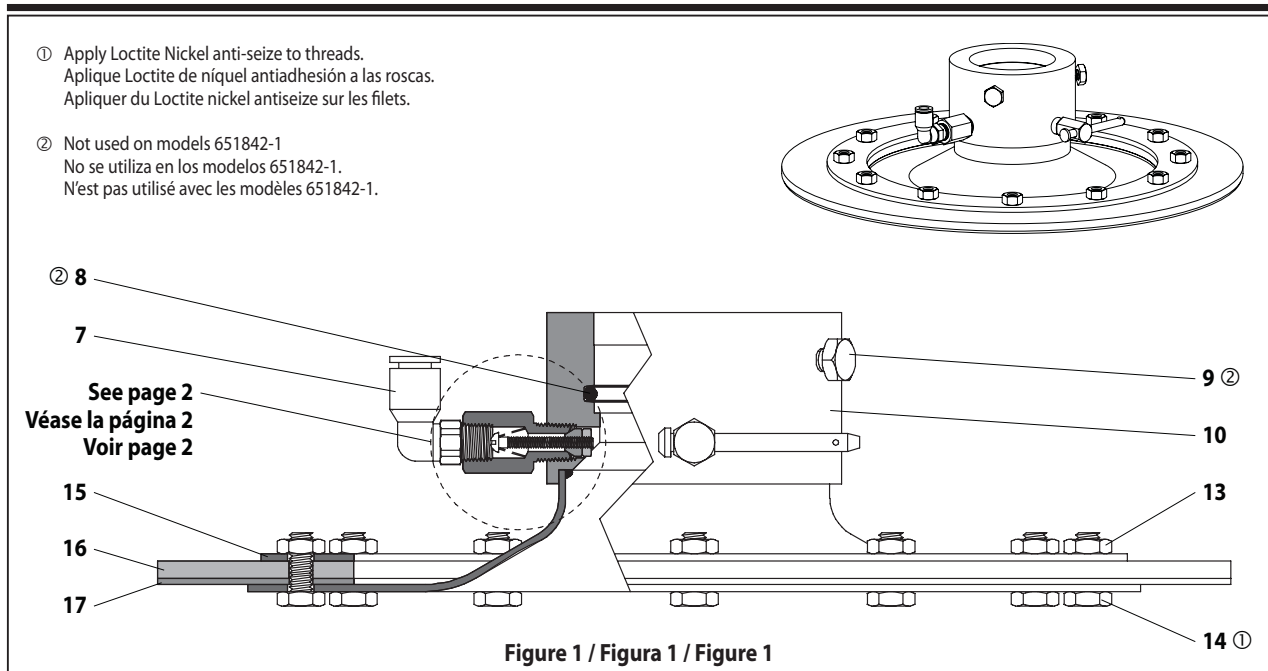


Figure 1 / Figura 1 / Figure 1

Item Elem. Art.	Description (size) Descripción (tamaño) Description (taille)	Qty Cant. Quan.	Part No. Número Numero	Mtl
1	Check Valve Body (1/8 - 27 N.P.T.F. - 1)	(1)	93987	[SS]
2	Machine Screw (#4 - 40 x 1")	(1)	Y8-251-S	[SS]
3	Spring	(1)	93989	[SS]
4	Valve Nut	(1)	93986	[D]
5	Nut (#4 - 40)	(1)	Y22-4-S	[SS]
6	Valve Assembly (includes items 1 - 5)	(1)	67130	
7	Male Elbow (1/8 - 27 N.P.T. x 5/16" o.d. tube)	(1)	59756-58	
8	"O" Ring (1/8" x 2-3/8" o.d.)	(1)	Y325-227	[B]
9	Cap Screw (1/4" - 20 x 5/8")	(3)	Y6-42-T	[SS]
10	Follower Assembly (models 651840-X)	(1)	67132-1	[C]
	(models 651841-1)	(1)	67132-2	[SS]
	(models 651842-1)	(1)	67137	[SS]
11	Clevis Pin	(1)	93990	[C]
12	Plug (1/8 - 27 N.P.T.F. - 1)	(1)	93988	[SS]
13	Nut (1/4" - 20)	(12)	Y12-4-S	[SS]

Item Elem. Art.	Description (size) Descripción (tamaño) Description (taille)	Qty Cant. Quan.	Part No. Número Numero	Mtl
14	Cap Screw (models 65184X-1) (1/4" - 20 x 5/8")	(12)	Y6-42-T	[SS]
	(models 65184X-2) (1/4" - 20 x 1")	(12)	Y6-45-T	[SS]
	(models 65184X-3) (1/4" - 20 x 3/4")	(12)	Y6-43-T	[SS]
15	Clamp (models 65184X-1)	(1)	93997-2	[SS]
	(models 65184X-2)	(1)	93997-2	[SS]
	(models 65184X-3)	(1)	95023	[C]
16	Wiper Seal (models 65184X-1, 11.437" o.d.)	(1)	93994-1	[U]
	(models 65184X-2, 295 mm o.d.)	(1)	95020	[B]
	(models 65184X-3, 312 mm o.d.)	(1)	95021	[B]
17	Wiper Seal (models 65184X-1, 11.375" o.d.)	(1)	91086	[Pe]
	(models 65184X-2, 290 mm o.d.)	(1)	95019	[B]
	(models 65184X-3, 309 mm o.d.)	(1)	95022	[Pe]

MATERIAL CODE / CODIGO DEL MATERIAL / CODE DE MATERIAU

[B] = Nitrile / Nitrilo / Nitrile
[C] = Carbon Steel / Acero al Carbón / Acier au Carbone
[D] = Acetal / Acetal / Acétal
[Pe] = Polyethylene / Polietileno / Polyéthylène
[SS] = Stainless Steel / Acero Inoxidable / Acier Inoxydable
[U] = Urethane / Uretano / Uréthane

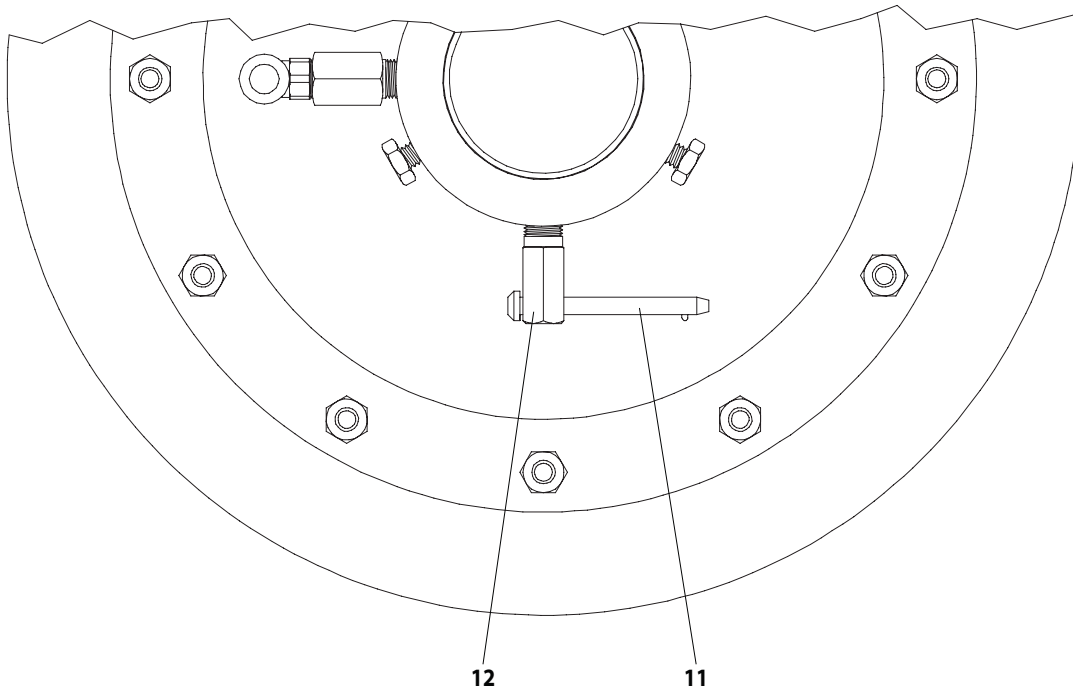


Figure 2 / Figura 2 / Figure 2

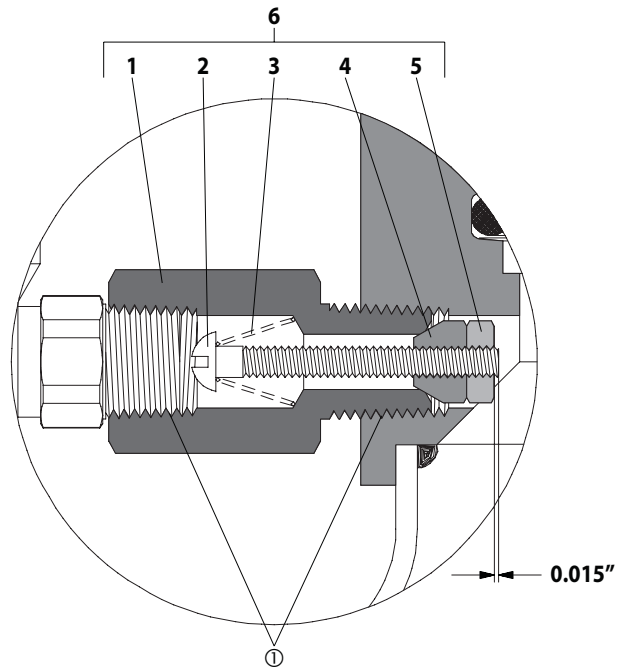


Figure 3 / Figura 3 / Figure 3