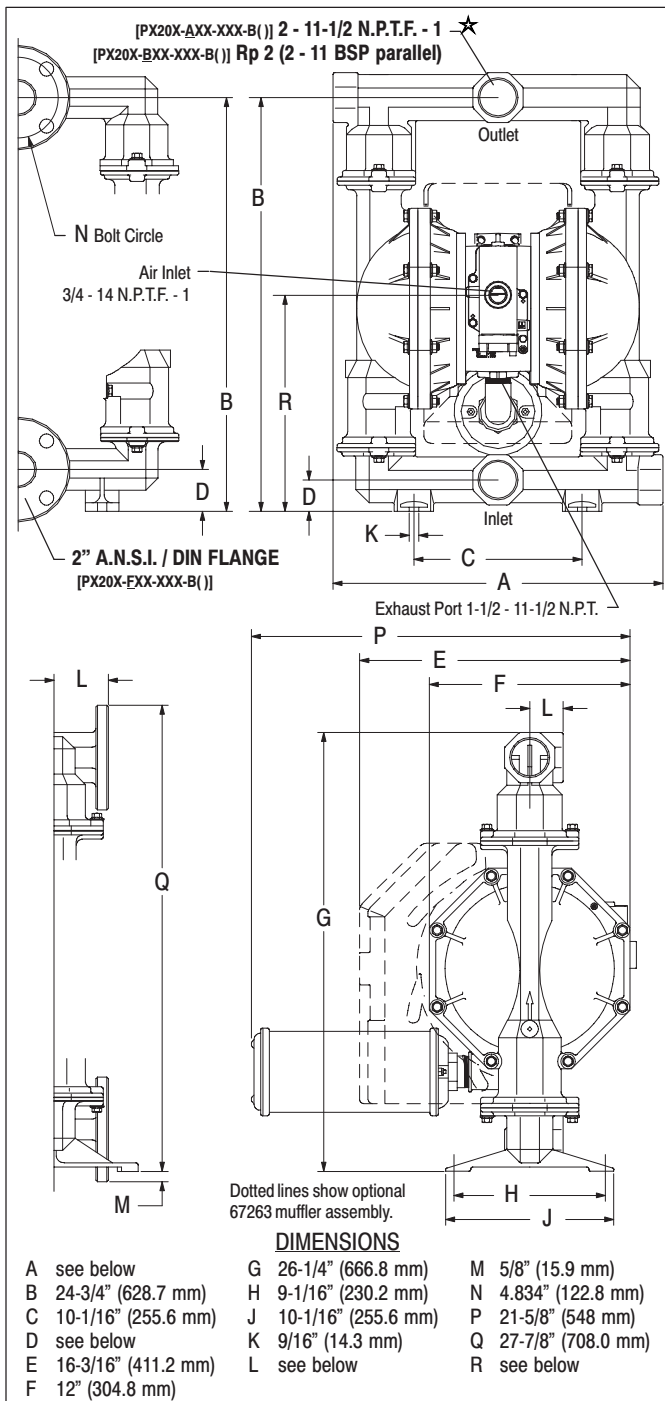


# SALES & ENGINEERING DATA

## PD20A-XXX-XXX-B / PD20S-XXX-XXX-B PE20A-XXX-XXX-B( ) / PE20S-XXX-XXX-B( ) 2" METALLIC DIAPHRAGM PUMP

RATIO SERIES:	<b>1:1</b>
FLUID P.S.I. RANGE:	<b>20 - 120</b>
RELEASED:	2-3-05
REVISED:	9-15-11
(REV. 05)	S-1338

### DIMENSIONAL DATA



### SPECIFICATIONS

#### CONSTRUCTION

Model Series	PD20A-X-X-B / PD20S-X-X-B
	PE20A-X-X-B( ) / PE20S-X-X-B( )
Pump Type	Metallic, Air Operated, Double Diaphragm
Ratio	1:1
Material Inlet / Outlet (female)	
PX20X- <del>AXX</del> -XXX-B( )	2 - 11-1/2 N.P.T.F. - 1
PX20X- <del>BXX</del> -XXX-B( )	Rp 2 (2 - 11 BSP parallel)
PX20X- <del>FXX</del> -XXX-B( )	2" A.N.S.I. / DIN Flange
Air Inlet (female)	3/4 - 14 N.P.T.F. - 1
Air Exhaust (female)	1-1/2 - 11-1/2 N.P.T.
Weight	
PX20A- <del>XAX</del> -XXX-B( )	91.4 lbs (41.5 kgs)
PX20A- <del>XCX</del> -XXX-B( )	147.4 lbs (66.9 kgs)
PX20A- <del>AHX</del> -XXX-B( ), -BHX	155.0 lbs (70.3 kgs)
PX20A- <del>ASX</del> -XXX-B( ), -BSX	149.8 lbs (68.0 kgs)
PX20A- <del>FHX</del> -XXX-B( ),	169.4 lbs (76.8 kgs)
PX20A- <del>FSX</del> -XXX-B( ),	162.0 lbs (73.5 kgs)
	(add 28.9 lbs [13.1 kgs] for stainless steel air motor section)
Air Section Service Kit	637421
Fluid Section Service Kit	637309-XX
Major Air Valve Assembly	637374-X

**PX20X-XXX-X [X] [X] -B( )**  
**637309 - [X] [X]**

Diaphragm Material  
Ball Material

EXAMPLE: Model # PD20A-AAP-AAA-B  
Fluid Section Service Kit is 637309-AA

#### PERFORMANCE

Air Inlet Pressure Range	20 - 120 p.s.i. (1.4 - 8.3 bar)
Maximum Material Inlet Pressure	10 p.s.i. (0.69 bar)
Fluid Pressure Range	20 - 120 p.s.i. (1.4 - 8.3 bar)
Maximum Flow Rate	172 g.p.m. (651 l.p.m.)
Displacement / Cycle @ 100 p.s.i.	1.4 gal. (5.3 lit.)
Maximum Particle Size	1/4" dia. (6.4 mm)
Maximum Temperature Limits (diaphragm / ball / seal material)	
E.P.R. / EPDM	-60° to 280° F (-51° to 138° C)
Hytre <sup>®</sup>	-20° to 150° F (-29° to 66° C)
Nitrile	10° to 180° F (-12° to 82° C)
PVDF (Kynar <sup>®</sup> )	10° to 200° F (-12° to 93° C)
Santoprene <sup>®</sup>	-40° to 225° F (-40° to 107° C)
PTFE	40° to 225° F (4° to 107° C)
Viton <sup>®</sup>	-40° to 350° F (-40° to 177° C)
Noise Level @ 70 p.s.i. - 60 c.p.m. <sup>①</sup>	85.0 db(A) <sup>②</sup>

- ① Tested with 67263 muffler assembly installed.  
② The pump sound pressure level has been updated to an Equivalent Continuous Sound Level (L<sub>Aeq</sub>) to meet the intent of ANSI S1. 13-1971, CAGI-PNEUROP S5.1 using four microphone locations.

#### ACCESSORIES:

- 66312 Air Line Connection Kit
- 67263 Continuous Muffler
- 94117 Int. Muffler

	"A"	"D"	"L"	"R"	NOTE: Dimensions are shown in inches and (mm), supplied for reference only and are typically rounded up to the nearest 1/16 inch.
PX20X- <del>XAX</del> -XXX-B( )	19-3/4" (501.4 mm)	1-7/8" (47.6 mm)	2" (50.8 mm)	12-15/16" (328.6 mm)	★ Side Discharge Ports are not available on PX20X- <del>XSX</del> -X-B Models.
PX20X- <del>XCX</del> -XXX-B( )	19-3/4" (501.4 mm)	1-7/8" (47.6 mm)	2" (50.8 mm)	12-15/16" (328.6 mm)	
PX20X- <del>AHX</del> -XXX-B( ), -BHX	19-1/4" (488.7 mm)	2-1/2" (63.5 mm)	2-3/32" (53.0 mm)	13-9/16" (344.5 mm)	
PX20X- <del>ASX</del> -XXX-B( ), -BSX	19-1/4" (488.7 mm)	2-1/2" (63.5 mm)	2-3/32" (53.0 mm)	13-9/16" (344.5 mm)	
PX20X- <del>FHX</del> -XXX-B( ), -FSX	19-1/4" (488.7 mm)	2-1/2" (63.5 mm)	3-1/4" (82.6 mm)	13-9/16" (344.5 mm)	

### INGERSOLL RAND COMPANY LTD

209 NORTH MAIN STREET - BRYAN, OHIO 43506

① (800) 495-0276 • FAX(800) 892-6276

www.ingersollrandproducts.com

© 2011

CCN 15227721

# ARO

**IR** Ingersoll Rand  
Industrial Technologies

PERFORMANCE CURVES

PD20X-XXX-XXX-B / PE20X-XXX-XXX-B( ) 2" METALLIC DIAPHRAGM PUMP

