

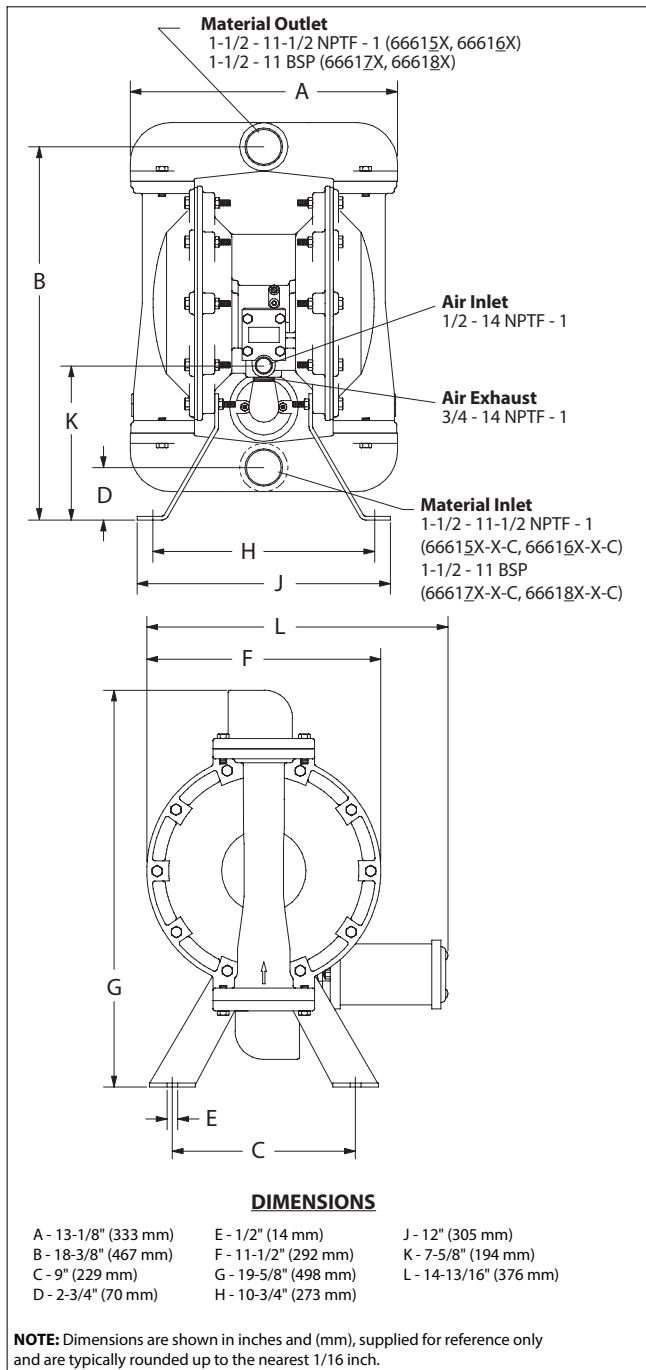
# SALES AND ENGINEERING DATA

RATIO SERIES:	<b>1:1</b>
FLUID PSIG RANGE:	<b>20 - 120</b>

## 66615X-XXX-C THRU 66618X-XXX-C 1-1/2" METALLIC DIAPHRAGM PUMP

RELEASED: 1-10-97  
REVISED: 10-26-18  
(REV: H) S-879

### DIMENSIONAL DATA - 6661X0, 1X2, 1XA, AND 1XC



### SPECIFICATIONS

#### CONSTRUCTION

<b>Model Series</b> .....	66615X-XXX-C thru 66618X-XXX-C
<b>Pump Type</b> .....	Metallic, Air Operated, Double Diaphragm
<b>Ratio</b> .....	1:1
<b>Material Inlet / Outlet (female)</b>	
66615X-X-C and 66616X-X-C .....	1-1/2 - 11-1/2 NPTF - 1
66617X-X-C and 66618X-X-C .....	1-1/2 - 11 BSP
<b>Air Inlet (female)</b> .....	1/2 - 14 NPTF - 1
<b>Air Exhaust (female)</b> .....	3/4 - 14 NPTF - 1
<b>Weight</b> ... Aluminum .....	51.54 lbs (23.4 kgs)
Cast Iron .....	79.54 lbs (36.1 kgs)
Stainless Steel .....	77.5 lbs (35.15 kgs)
	(add 23 lbs (10.4 kgs) for cast iron air motor section)
<b>Air Section Service Kit</b> .....	637118-C
<b>Fluid Section Service Kit</b> .....	637124-XX
<b>Composite PTFE Diaphragm Kit</b> ....	48496806

#### 66615X-XXX-C

637124-XX

Diaphragm Material  
Ball Material

EXAMPLE: Model # 666150-361-C  
Fluid Section Service Kit is 637124-61

#### PERFORMANCE

<b>Air Inlet Pressure Range</b> .....	20 - 120 psig (1.4 - 8.3 bar)
<b>Maximum Material Inlet Pressure</b> ..	10 psig (0.69 bar)
<b>Fluid Pressure Range</b> .....	20 - 120 psig (1.4 - 8.3 bar)
<b>Maximum Flow Rate (flooded inlet)</b> ...	90 gpm (340.7 lpm)
<b>Maximum Particle Size</b> .....	1/4" dia. (6.4 mm)
<b>Maximum Temperature Limits (diaphragm / ball / seat material)</b>	
Acetal .....	-20° to 180° F (-29° to 82° C)
E.P.R. ....	-60° to 280° F (-51° to 138° C)
Hytrel® .....	-20° to 180° F (-29° to 82° C)
PVDF (Kynar®) .....	10° to 200° F (-12° to 93° C)
Neoprene .....	0° to 200° F (-18° to 93° C)
Nitrile .....	10° to 180° F (-12° to 82° C)
Polypropylene .....	32° to 175° F (0° to 79° C)
Polyurethane .....	-10° to 150° F (-23° to 66° C)
PTFE .....	40° to 225° F (4° to 107° C)
Composite PTFE .....	14° to 194° F (-10° to 90° C)
Santoprene® .....	-40° to 225° F (-40° to 107° C)
Viton® .....	-40° to 350° F (-40° to 177° C)

#### Displacement / Cycle @ 100 psig

Standard Diaphragm .....	0.64 gal. (2.42 lit.)
Composite PTFE Diaphragm .....	0.40 gal. (1.52 lit.)

**Noise Level @ 70 psig - 60 cpm** ① ..... 80.5 dB(A) ②

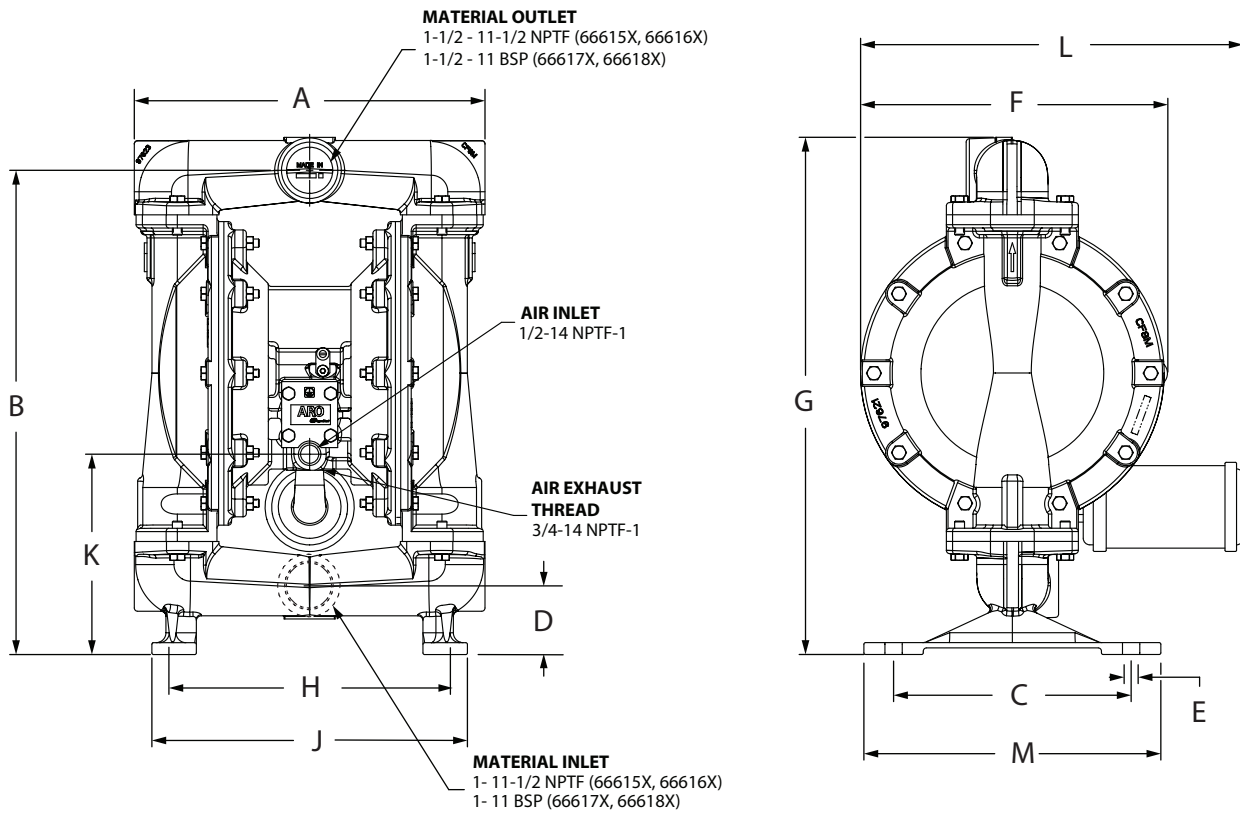
#### Note:

- ① Tested with 350-568 muffler installed.
- ② The pump sound pressure level has been updated to an Equivalent Continuous Sound Level (L<sub>Aeq</sub>) to meet the intent of ANSI S1. 13-1971, CAGI-PNEUROP S5.1 using four microphone locations.

#### ACCESSORIES:

- 65010 Neoprene "O" Ring Air Motor Kit
- 65764 Viton "O" Ring Air Motor Kit
- 66084-1 Air Line Connection Kit
- 637155 Abrasion Resistant Conversion Kit

## DIMENSIONAL DATA - 6661X1, 1XB



### DIMENSIONS

A - 13-5/16" (337 mm)	E - 17/32" (13.5 mm)	J - 12" (305 mm)
B - 18-3/8" (467 mm)	F - 11-1/2" (292 mm)	K - 7-5/8" (194 mm)
C - 9" (229 mm)	G - 19-5/8" (498 mm)	L - 14-1/2" (368 mm)
D - 2-3/4" (70 mm)	H - 10-3/4" (273 mm)	M - 11-1/4" (286 mm)

**NOTE:** Dimensions are shown in inches and (mm), supplied for reference only and are typically rounded up to the nearest 1/16 inch.

# PERFORMANCE CURVES

## 6661XX-XXX-C 1-1/2" METALLIC DIAPHRAGM PUMP

