

SALES AND ENGINEERING DATA

RATIO SERIES:	1:1
FLUID PSIG RANGE:	10 - 120

PD20P-XXS-XXX-A, PE20P-XXS-XXX-A 2" NON-METALLIC DIAPHRAGM PUMP

RELEASED:	12-16-02
REVISED:	10-9-20
(REV: J)	S-1262

SPECIFICATIONS

CONSTRUCTION

Model Series	PD20X-XXS-XXX PE20X-XXS-XXX
Pump Type	Non-Metallic, Air Operated, Double Diaphragm
Ratio	1:1
Material Inlet / Outlet	2" A.N.S.I / DIN Flange
Air Inlet (female)	3/4 - 14 NPTF - 1
Air Exhaust (female)	1-1/2 - 11-1/2 NPSM
Weight	
PX20E-FES-XXX	85.3 lbs (38.7 kgs)
PX20P-FKS-XXX	110.9 lbs (50.3 kgs)
PX20E-FNS-XXX	110.9 lbs (50.3 kgs)
PX20P-FPS-XXX	85.3 lbs (38.7 kgs)
PX20P-YPS-XXX	91 lbs (41.2 kgs)
Air Section Service Kit	637369
Fluid Section Service Kit	637373-XX

PX20P-XXS-XXX
637373-XX
Diaphragm Material
Ball Material
EXAMPLE: Model #PD20P-FKS-KAA
Fluid Section Service Kit is 637373-AA

PERFORMANCE

Maximum Air Inlet Pressure	120 psig (8.3 bar)
Maximum Material Inlet Pressure	10 psig (0.69 bar)
Maximum Outlet Pressure	120 psig (8.3 bar)
Maximum Flow Rate (flooded inlet)	184 gpm (696 lpm)
Displacement / Cycle @ 100 psig	1.4 gal. (5.3 lit.)
Maximum Particle Size	1/4" dia. (6.4 mm)
Maximum Temperature Limits (diaphragm / ball / seal material)	
E.P.R. / EPDM	-60° to 280° F (-51° to 138° C)
Hytre [®]	-20° to 180° F (-29° to 82° C)
Nitrile	10° to 180° F (-12° to 82° C)
Polypropylene	32° to 175° F (0° to 79° C)
PVDF	10° to 200° F (-12° to 93° C)
Santoprene [®]	-40° to 225° F (-40° to 107° C)
PTFE	40° to 225° F (4° to 107° C)
Viton [®]	-40° to 350° F (-40° to 177° C)
Noise Level @ 70 psig - 60 cpm	85.0 dB(A) ^②

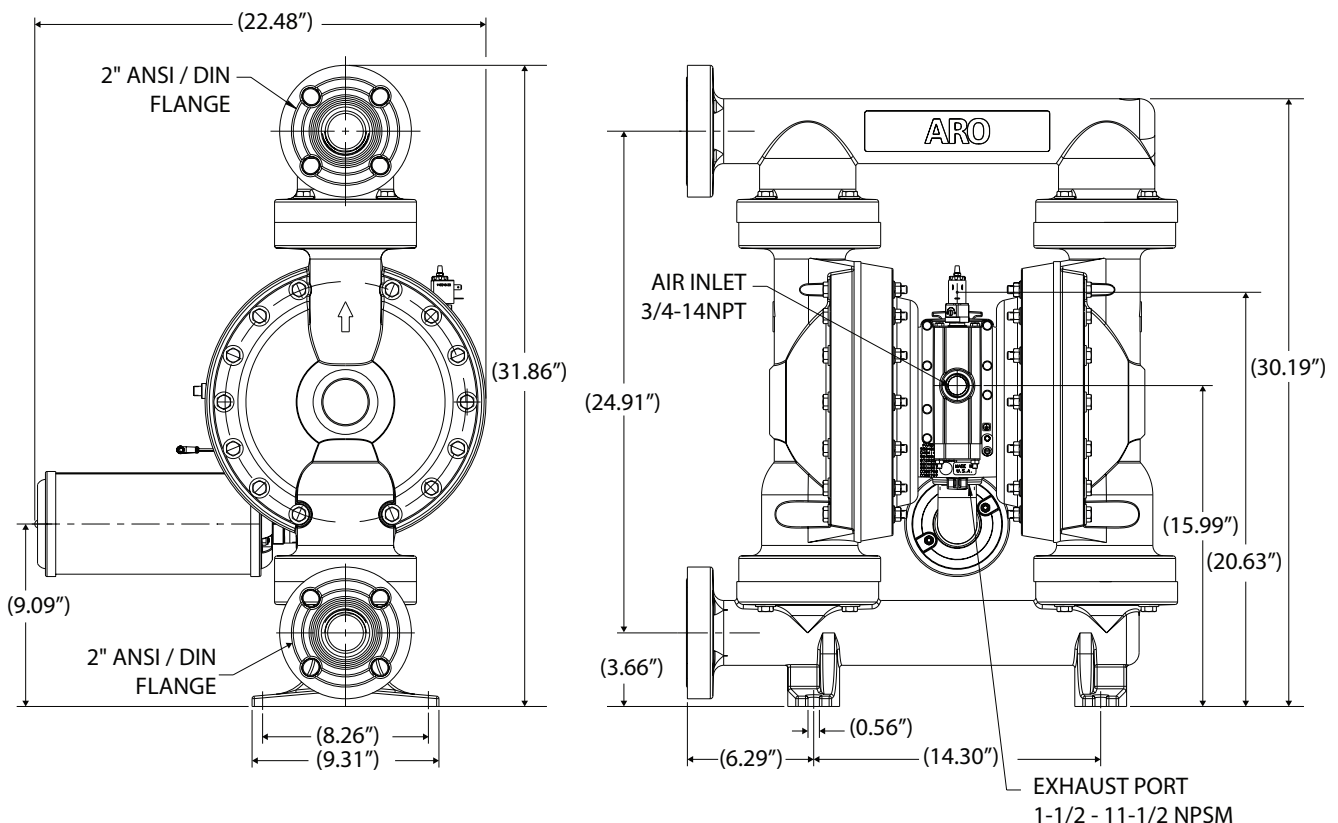
① Tested with 67263 muffler assembly installed.

② The pump sound pressure level has been updated to an Equivalent Continuous Sound Level (LA_{eq}) to meet the intent of ANSI S1. 13-1971, CAGI-PNEUROP S5.1 using four microphone locations.

DIMENSIONAL DATA

Dimensions shown are for reference only, they are displayed in inches.

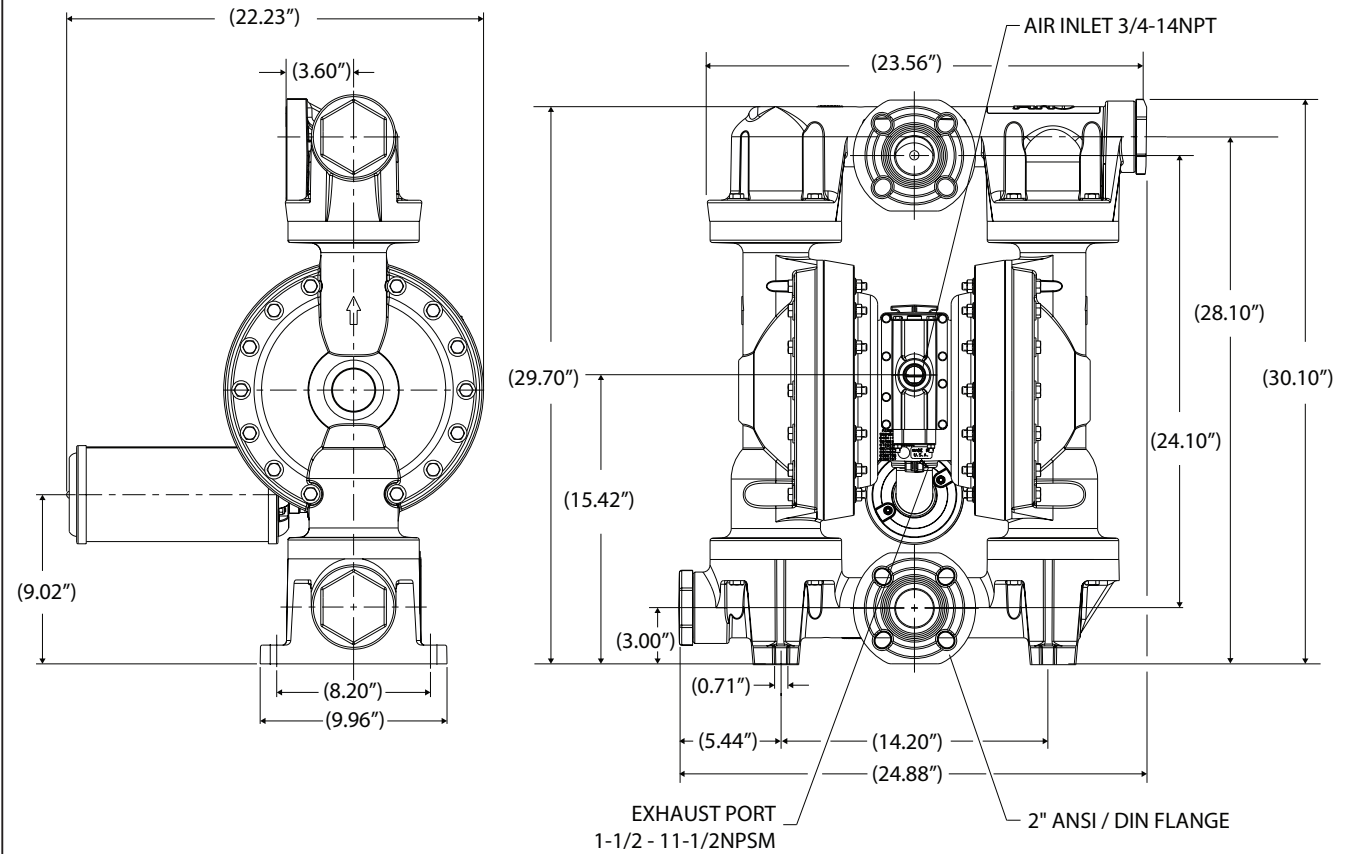
PX20P-FXS-XXX-AXXX, PX20E-XXX-XXX-AXXX



DIMENSIONAL DATA

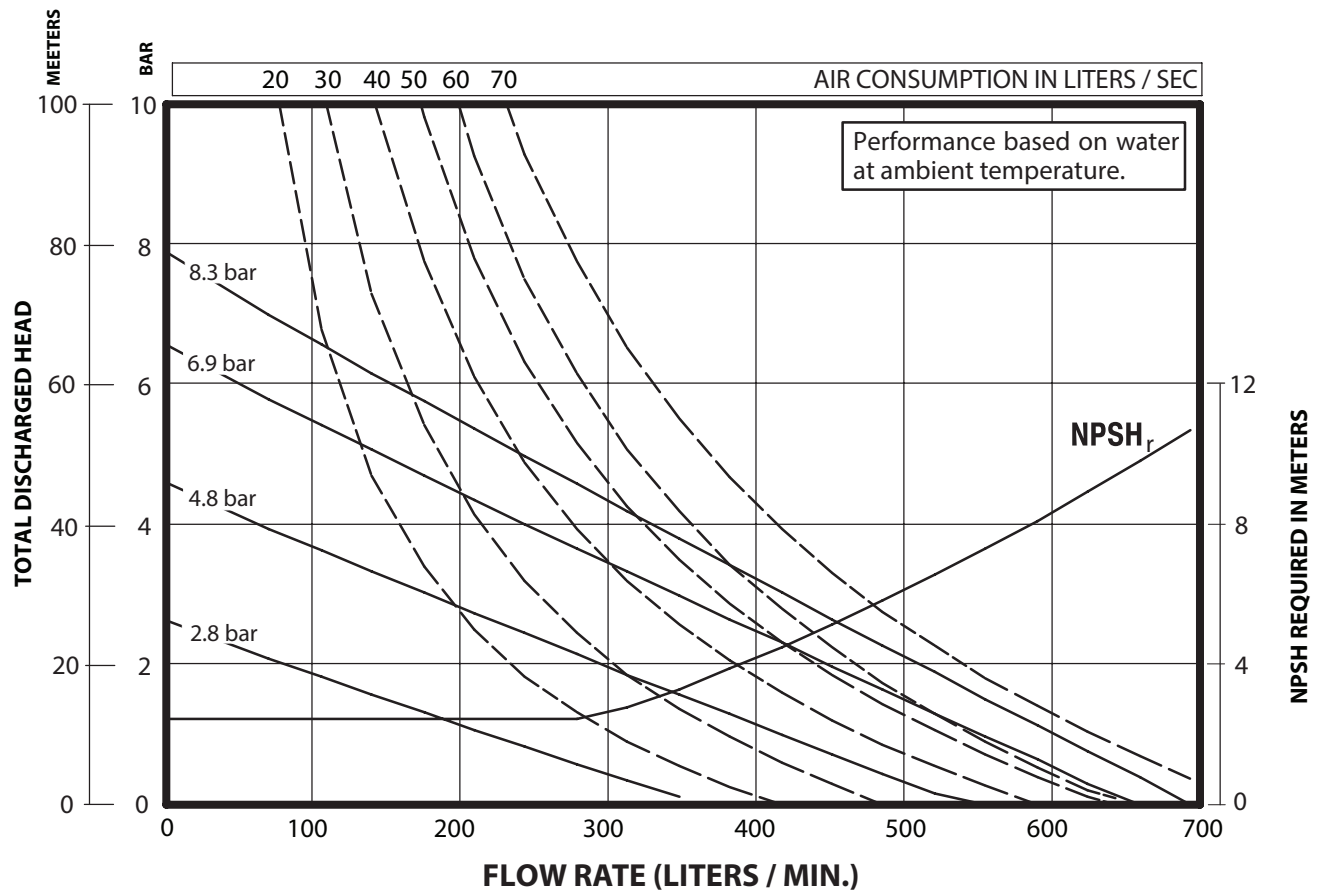
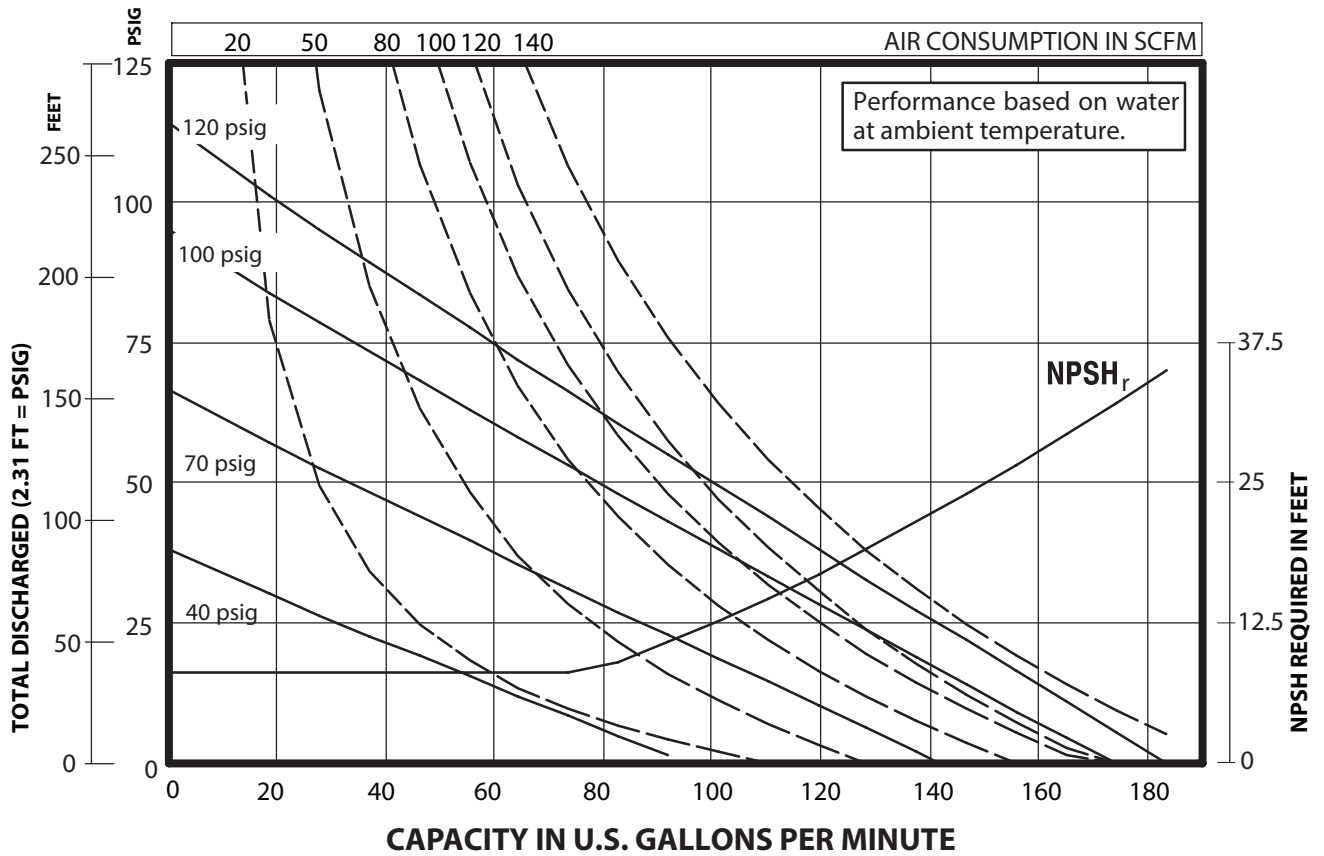
Dimensions shown are for reference only, they are displayed in inches.

PX20P-YXS-XXX-AXXX



PERFORMANCE CURVES

PX20P-XXS-XXX 2" NON-METALLIC DIAPHRAGM PUMP



Center ported version has 10% lower flow than end ported at flows greater than 80 GPM.

