

# SALES AND ENGINEERING DATA

RATIO SERIES:	1:1
FLUID PSIG RANGE:	20 - 120
RELEASED:	4-13-04
REVISED:	6-25-21
(REV: K)	S-1305

## PD10X-XXX-XXX AND PE10X-XXX-XXX 1" METALLIC DIAPHRAGM PUMP

### SPECIFICATIONS

#### CONSTRUCTION

<b>Model Series</b> .....	PD10X-XXX-XXX PE10X-XXX-XXX
<b>Pump Type</b> .....	Metallic, Air Operated, Double Diaphragm
<b>Ratio</b> .....	1:1
<b>Material Inlet / Outlet</b>	
PX10X- <u>A</u> XX-XXX (female) .....	1 - 11-1/2 NPTF - 2
PX10X- <u>B</u> XX-XXX (female) .....	Rp 1 (1 - 11 BSP Parallel)
PX10X- <u>F</u> XX-XXX .....	1" ANSI / DIN Flange (Raised Face)
<b>Air Inlet</b> (female) .....	1/4 - 18 NPT
<b>Air Exhaust</b> (female) .....	3/4 - 14 NPT
<b>Weight</b>	
PX10R- <u>X</u> AX-XXX .....	20.65 lbs (9.37 kgs)
PX10R- <u>X</u> CX-XXX .....	35.2 lbs (16.0 kgs)
PX10R- <u>X</u> HX-XXX .....	39.6 lbs (18.0 kgs)
PX10R- <u>A</u> SX-XXX .....	38.2 lbs (17.3 kgs)
PX10R- <u>B</u> SX-XXX .....	38.2 lbs (17.3 kgs)
PX10R- <u>F</u> SX-XXX .....	43.9 lbs (19.9 kgs)
Add 4.65 lbs (2.11 kg) for Aluminum air motor section	
Add 11.09 lbs (5.03 kg) for Stainless Steel air motor section	
<b>Air Section Service Kit</b> .....	637397
<b>Major Air Valve Assembly</b>	
PD10 <u>A</u> -XXX-XXX .....	637395-3
PD10 <u>R</u> -XXX-XXX .....	637395-1
PD10 <u>S</u> -XXX-XXX .....	637395-5
PE10 <u>A</u> -XXX-XXX .....	637395-4
PE10 <u>R</u> -XXX-XXX .....	637395-2
PE10 <u>S</u> -XXX-XXX .....	637395-6
<b>Fluid Section Service Kit</b> .....	637401-XX

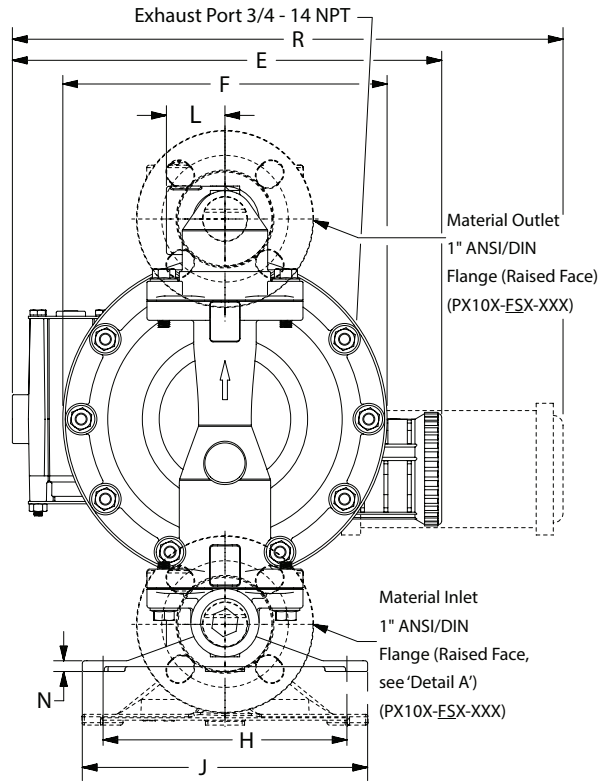
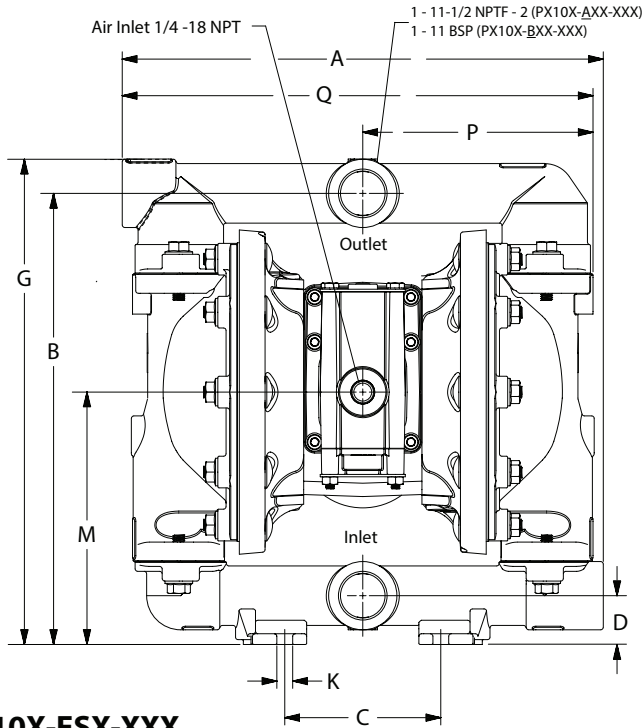
#### PERFORMANCE

<b>Maximum Air Inlet Pressure</b> .....	120 psig (8.3 bar)
<b>Maximum Material Inlet Pressure</b> .....	10 psig (0.69 bar)
<b>Maximum Outlet Pressure</b> .....	120 psig (8.3 bar)
<b>Maximum Flow Rate</b> (flooded inlet) .....	52.2 gpm (197.6 lpm)
<b>Displacement / Cycle @ 100 psig</b> .....	0.232 gal. (0.88 lit.)
<b>Maximum Particle Size</b> .....	1/8" dia. (3.3 mm)
<b>Maximum Temperature Limits (diaphragm / ball / seat material)</b>	
E.P.R. / EPDM .....	-60° to 280° F (-51° to 138° C)
Hytrel® .....	-20° to 180° F (-29° to 82° C)
Nitrile .....	10° to 180° F (-12° to 82° C)
Polypropylene .....	32° to 175° F (0° to 79° C)
Santoprene® .....	-40° to 225° F (-40° to 107° C)
PTFE .....	40° to 225° F (4° to 107° C)
Viton® .....	-40° to 350° F (-40° to 177° C)
<b>Noise Level @ 70 psig - 60 cpm</b> .....	80.6 dB(A) <sup>①</sup>
① The pump sound pressure level has been updated to an Equivalent Continuous Sound Level (LA <sub>eq</sub> ) to meet the intent of ANSI S1. 13-1971, CAGI-PNEUROPS S5.1 using four microphone locations.	

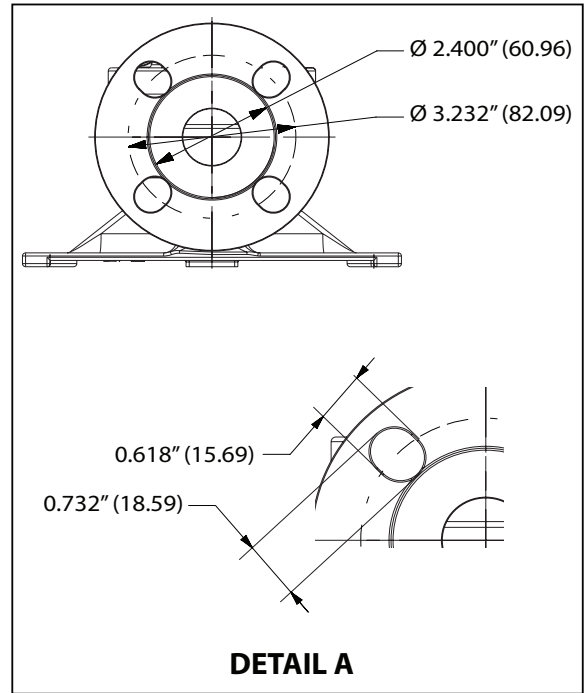
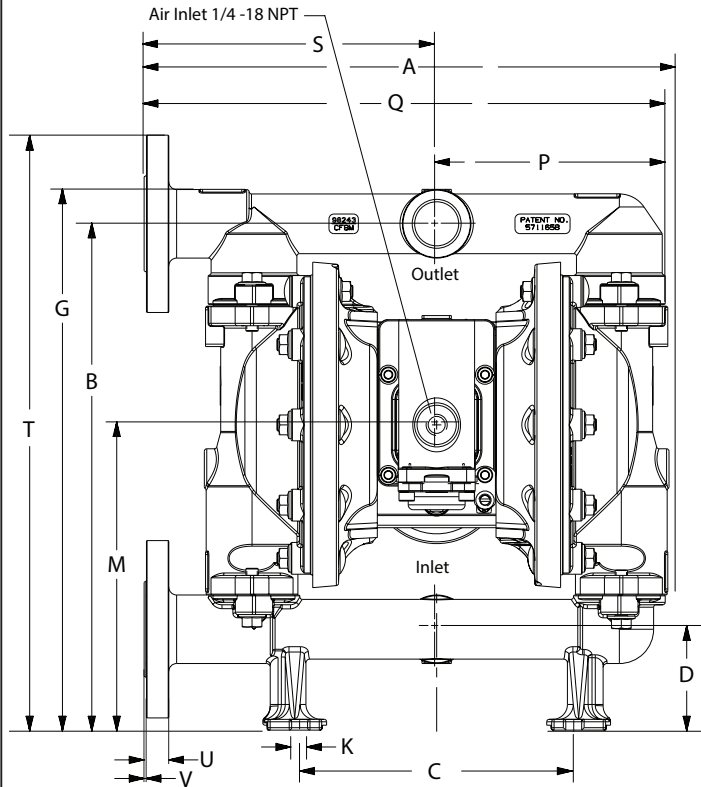
PX10X-XXX-XXX  
637401-XX  
Diaphragm Material  
Ball Material  
EXAMPLE: Model #PD10A-ASP-AAA  
Fluid Section Service Kit is 637401-AA

# DIMENSIONAL DATA

(Dimensions shown are for reference only, they are displayed in inches and millimeters (mm)).



## PX10X-FSX-XXX



### DIMENSIONS

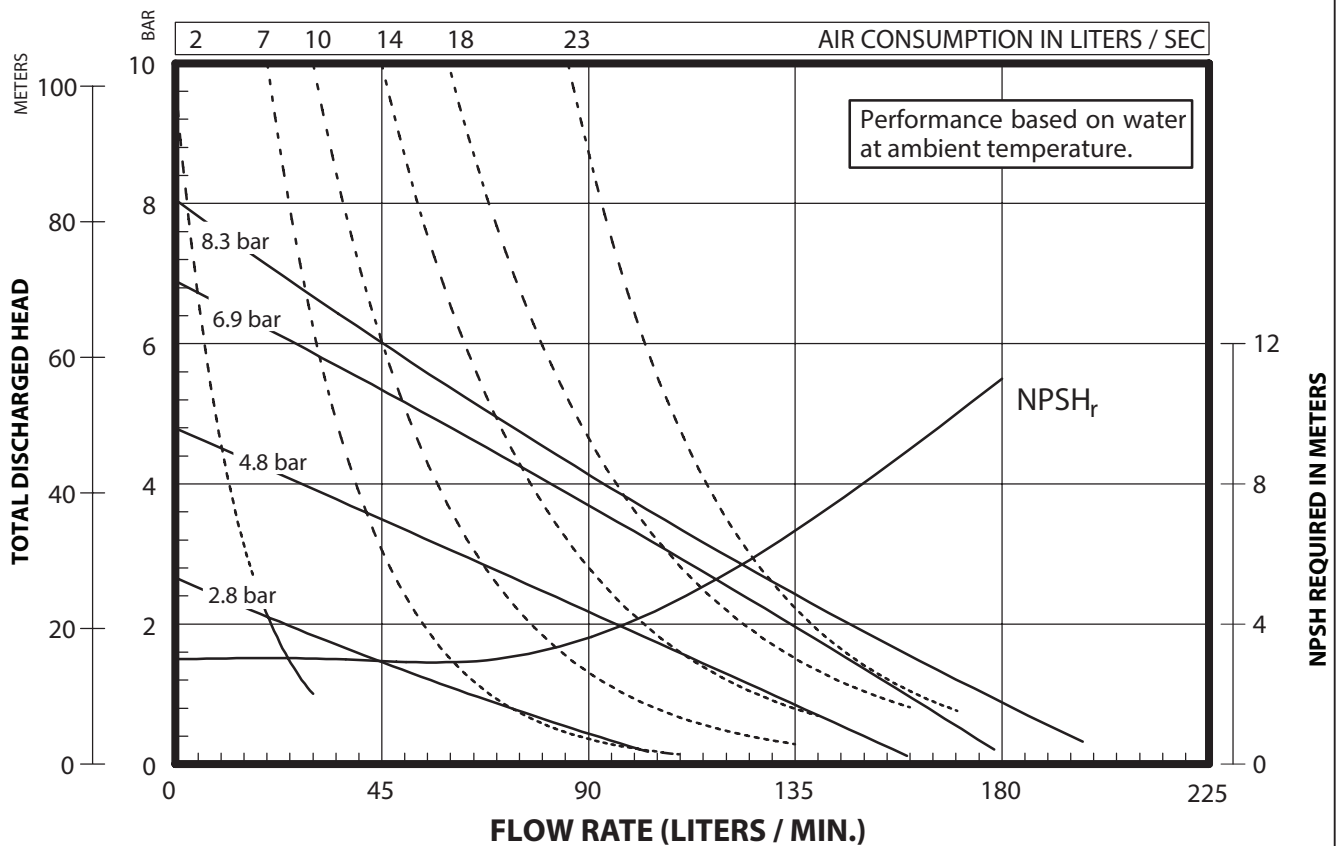
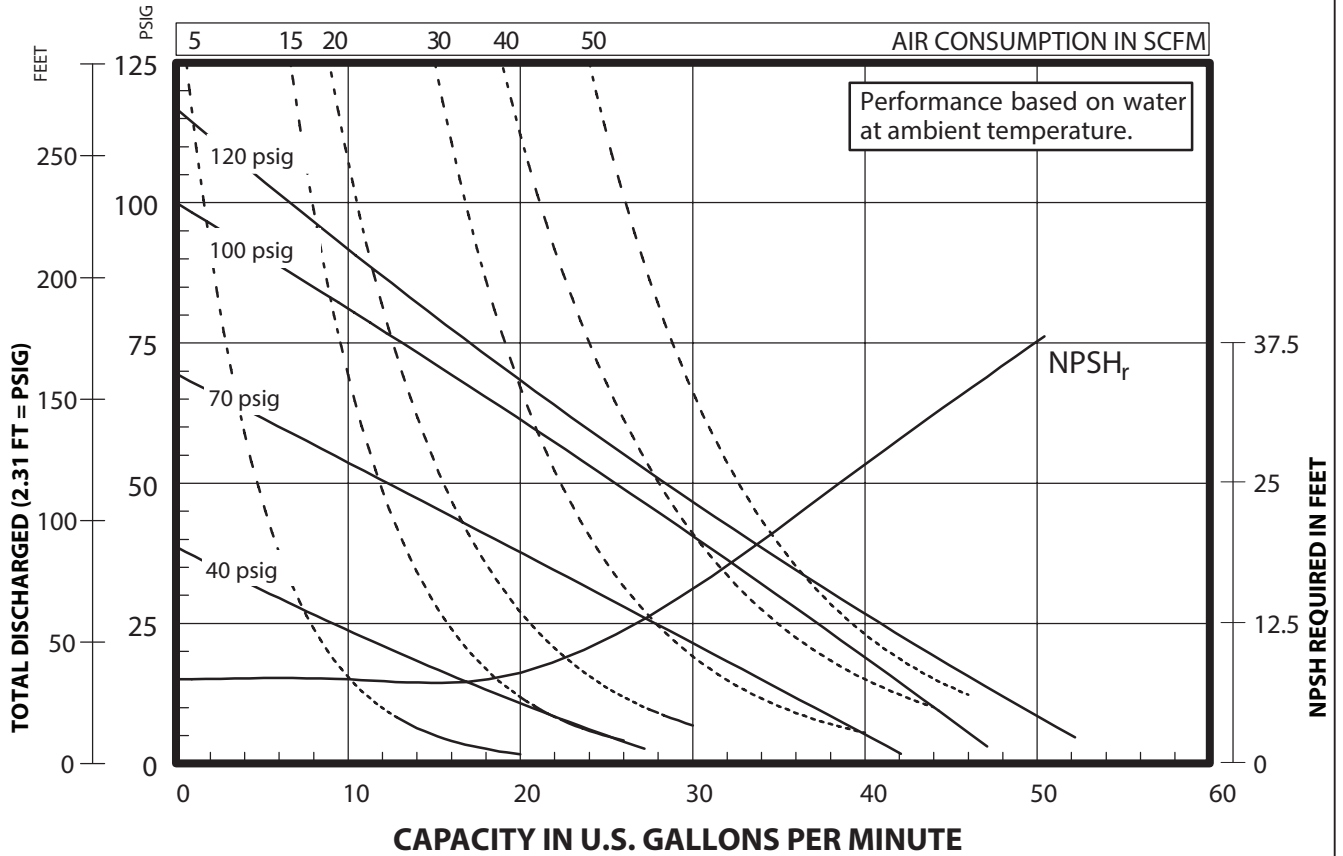
A - 12.34" (313.4 mm)	E - see below	J - 7.31" (185.6 mm)	N - see below
B - 11.56" (293.6 mm)	F - see below	K - 0.4" (10.1 mm)	P - 5.84" (148.3 mm)
C - 4" (101.6 mm)	G - 12.43" (315.7 mm)	L - 1.5" (38.1 mm)	Q - 12" (304.8 mm)
D - 1.25" (31.7 mm)	H - 6.25" (158.7 mm)	M - 6.46" (164.0 mm)	R - see below
	"E"	"F"	"R"
PX10A-XXX-XXX	-----	8.12" (206.2 mm)	14.03" (356.3 mm)
PX10R-XXX-XXX	11.09" (281.6 mm)	8.31" (211.0 mm)	-----
PX10S-XXX-XXX	-----	8.18" (207.7 mm)	13.84" (351.5 mm)
			"N"
			PX10X-XAX-XXX 0.25" (6.3 mm)
			PX10X-XCX-XXX 0.28" (7.1 mm)
			PX10X-XHX-XXX 0.28" (7.1 mm)
			PX10X-XSX-XXX 0.28" (7.1 mm)

## PX10X-FSX-XXX

A - 13.37" (339.5 mm)	D - 2.57" (65.2 mm)	M - 7.79" (197.8 mm)	Q - 13.30" (337.8 mm)	T - 15.19" (385.8 mm)
B - 12.92" (328.1 mm)	G - 13.80" (350.5 mm)	N - 9/32" (7.1 mm)	R - 13.83" (351.2 mm)	U - 0.63" (16.0 mm)
C - 7" (177.8 mm)	K - 0.4" (10.1 mm)	P - 5.83" (148.0 mm)	S - 7.47" (187.9 mm)	V - 0.60" (15.2 mm)

# PERFORMANCE CURVES

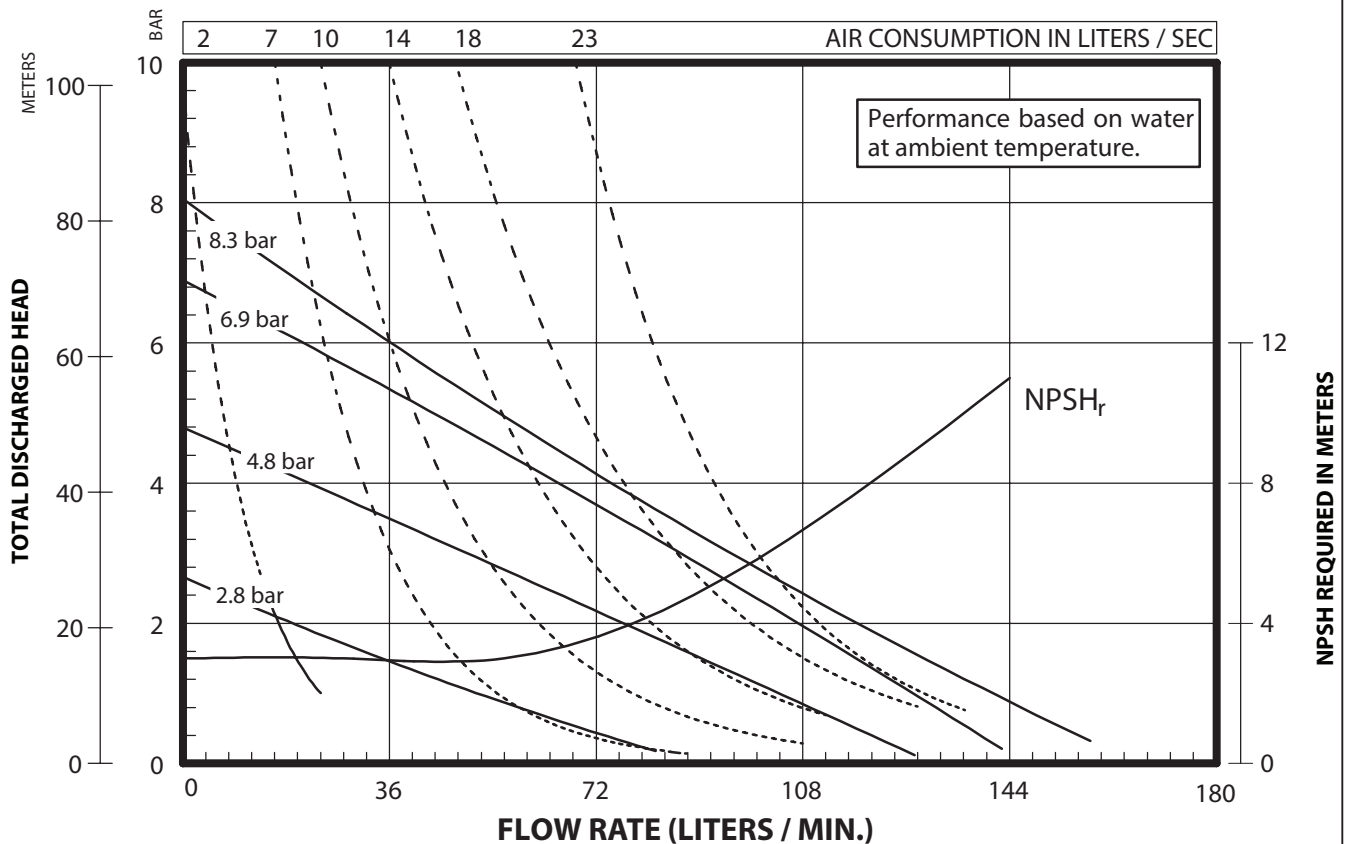
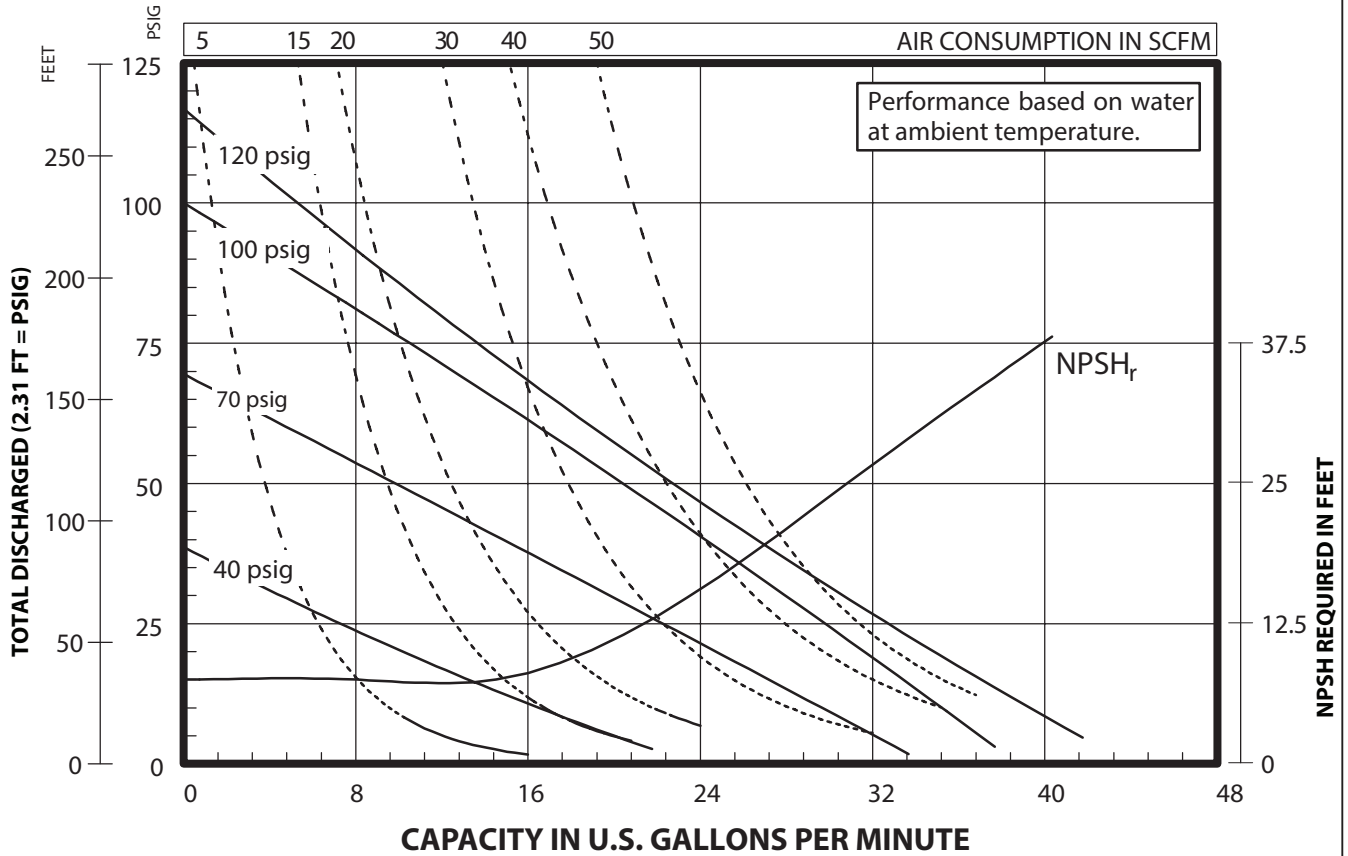
## PX10X-XXX-XXX 1" METALLIC DIAPHRAGM PUMP



**NOTE: Performance tested with 95845 Diaphragm Check Valve.**

## PERFORMANCE CURVES

### PE10X-XXX-XXX-XXEX & PE10X-XXX-XXX-XXFX 1" METALLIC DIAPHRAGM PUMP



NOTE: Performance tested with 95845 Diaphragm Check Valve.