

OPERATOR'S MANUAL AF0409CXXXXXX-XX-X

INCLUDING: SPECIFICATIONS, SERVICE KITS, GENERAL INFORMATION, TROUBLESHOOTING.
 INCLUDE MANUALS: AF0409CXXXXXX-XX (PN 97999-1494), AF044X-XX Air Motor (PN 97999-1466),
 1875CXXXXXX (PN 97999-1583), S-632 General Information Manual (PN 97999-624)

RELEASED: 9-15-10
 REVISED: 4-17-20
 (REV: G)

4-1/4" AIR MOTOR
9:1 RATIO
4" STROKE

AF0409CXXXXXX-XX-X TWO-BALL PUMP SERIES Stainless Steel



**READ THIS MANUAL CAREFULLY BEFORE INSTALLING,
 OPERATING OR SERVICING THIS EQUIPMENT.**

It is the responsibility of the employer to place this information in the hands of the operator. Keep for future reference.

SERVICE KITS

- Use only genuine ARO® replacement parts to assure compatible pressure rating and longest service life.
- **637489** for repair of air motor section.
- **K1875CXXXXXX** for repair lower pump end.

Refer to the chart on page 2 for description of "XXXXXX" options.

SPECIFICATIONS

Model Series (refer to option chart)	AF0409CXXXXXX-XX-X
Pump Type	Air Operated, Two-Ball
Ratio	9:1
Air Motor	AF0443-XX
Motor Repair Kit	637489
Motor Diameter	4-1/4" (10.795 cm)
Stroke (double acting)	4" (10.16 cm)
Air Inlet (female)	1/2 - 14 NPTF - 1
Air Exhaust (female)	1-1/4 - 11-1/2 NPTF - 1
Lower Pump End Series	1875CXXXXXX
Lower Pump Repair Kit	K1875CXXXXXX
Material Inlet (female)	1-1/4 - 11-1/2 NPSM
Material Outlet (female)	3/4 - 14 NPTF - 1

PUMP PERFORMANCE

Air Inlet Pressure range	30 -150 psig (2 -10.3 bar)
Fluid Pressure range	270-1350 psig (18.6 - 93.1 bar)
Maximum Cycles/Minute	60
Displacement Per Cycle	11.0 in ³ (180.3 cc)
Cycles Per Gallon (L)	21 (5.5)
Flow @ 60 Cycles/ Minute	2.9 gpm (10.8 lpm)
Noise Level @ 60 psig - 40 cpm	89.2 dB(A) ^②

② The pump sound pressure level has been updated to an Equivalent Continuous Sound Level (LA_{eq}) to meet the intent of ANSI S1.13-1971, CAGI-PNEUROP S5.1 using four microphone locations.

IMPORTANT

This is one of four documents which support the pump. Replacement copies of these forms are available upon request.

- AF0409CXXXXXX-XX-X** Model Operator's Manual (pn 97999-1494)
- S-632** General Information - Industrial Piston Pumps (pn 97999-624)
- 1875CXXXXXX** Lower Pump End Operator's Manual (pn 97999-1583)
- AF044X-XX** Air Motor Operator's Manual (pn 97999-1466)

PUMP DATA

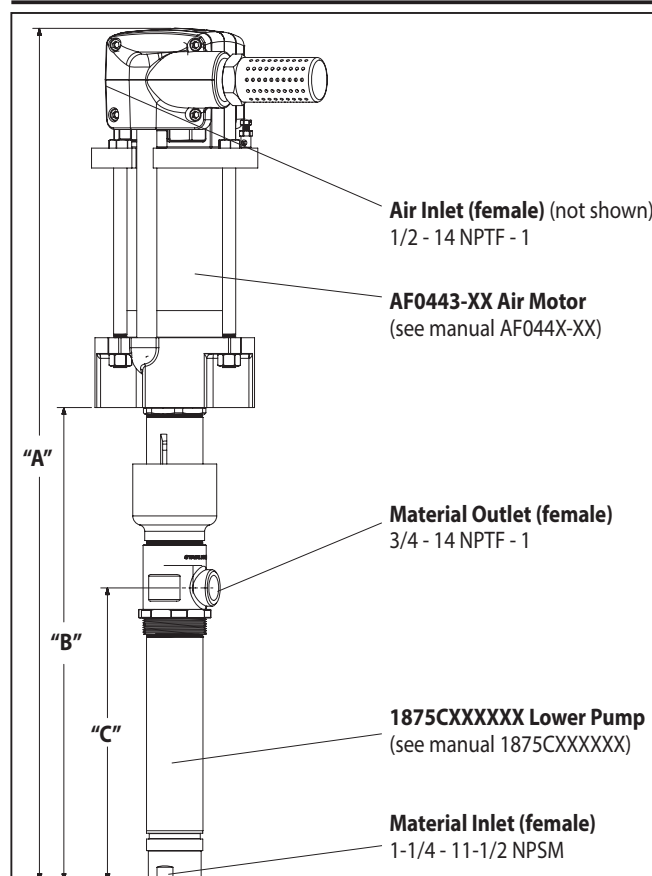


Figure 1

NOTE: Dimensions are shown in inches and (mm) and are supplied for reference only.

Models	"A" (mm)	"B" (mm)	"C" (mm)
AF0409C1XX	32.031" (813.6)	17.780" (451.6)	11.000" (279.4)
AF0409C5XX	55.375" (1406.5)	41.124" (1044.5)	33.219" (843.7)

for -1 models

AF0409C1XX-1	34.116" (866.5)	17.780" (451.6)	11.000" (279.4)
AF0409C5XX-1	57.460" (1459.5)	41.124" (1044.5)	33.219" (843.7)

MODEL DESCRIPTION CHART

AF0409 C X X X X X X X

Check Type / Wetted Material

C - Two Ball, 300 Series / CF8M Stainless Steel

Container Suitability

1 - Remote Mounting
5 - 55 gallon
8 - Remote Mounting with Optional Inlet
9 - 5 gallon with Optional Piston

Inlet / Outlet Tread Type

1 - SAE

Upper Packing

B - Buna "N"
E - EPR
F - UHMW-PE
H - UHMW-PE / Leather Staggered
K - Filled PTFE
L - Leather
S - Virgin PTFE
U - Filled PTFE/ Leather Staggered
V - Viton

Lower Packing

B - Buna "N"
E - EPR
F - UHMW-PE
S - Virgin PTFE

Spring Type / Solvent Cup

1 - No Spring, Standard Solvent Cup
2 - Coil Spring, Standard Solvent Cup
L - Coil Spring, No Solvent Cup
W - No Spring, No Solvent Cup

Plunger Type

2 - 316 Stainless Steel
9 - 304 Stainless Steel, Ceramic coated
E - 316 Stainless Steel Rod, Ceramic coated Tube
F - 304 Stainless Steel, Ceramic coated, Plain Tube

Air Motor Option

Blank - No Option
0 - No Option
1 - Carbon Integrated Ball Valve Regulator

Pump Option

Blank - No Option
1 - Hex Split Bung Adapter
2 - Round Split Bung Adapter
3 - Three Screw Bung Adapter

GENERAL DESCRIPTION

The two-ball design provides for easy priming of the lower foot valve. The double acting feature is standard in all ARO industrial pumps. Material is delivered to the pump discharge outlet on both the up and down stroke.

The motor is connected to the lower pump end with a spacer tube and solvent cup. This allows for lubrication of the upper packing gland and to prevent air motor contamination because of normal wear and eventual leakage through the material packing gland.

⚠ WARNING HAZARDOUS PRESSURE. Do not exceed maximum operating pressure of 1,350 psig (93.1 bar) at 150 psig (10.3 bar) inlet air pressure.

**Pump Ratio X = Maximum Pump
Inlet Pressure to Pump Motor Fluid Pressure**

Pump ratio is an expression of the relationship between the pump motor area and the lower pump end area. EXAMPLE: When 150 psig (10.3 bar) inlet pressure is supplied to the motor of a 4:1 ratio pump, it will develop a maximum of 600 psig (41.4 bar) fluid pressure (at no flow) - as the fluid control is opened, the flow rate will increase as the motor cycle rate increases to keep up with the demand.

⚠ WARNING Refer to general information sheet for additional safety precautions and important information.

NOTICE: Thermal expansion can occur when the fluid in the material lines is exposed to elevated temperatures. Example: Material lines located in a non-insulated roof area can warm due to sunlight. Install a pressure relief valve in the pumping system.

Replacement warning label (pn 92325) is available upon request.

TROUBLESHOOTING

Pump problems can occur in either the air motor section or the lower pump end section. Use these basic guidelines to help determine which section is affected. Be sure to eliminate any possible non-pump problems before suspecting pump malfunction.

Pump will not cycle.

- No pressure to the motor. See motor manual.
- Restricted return lines. Clean obstruction.
- Damaged motor. Service the motor.

No material at the outlet (pump continually cycles).

- Check the material supply, disconnect or shut off the air supply and replenish the material, reconnect.

Material on one stroke only (fast down stroke).

- The lower check may not be seating in the foot valve (see lower pump disassembly). Remove the check from the foot valve, clean and inspect the valve seat area. If the check or foot valve are damaged, replace.

Material on one stroke only (fast upstroke).

- The middle packings may be worn (see lower pump disassembly). Replace the seals as necessary.

Material leakage out of the solvent cup or material appears on the pump plunger rod.

- Tighten the solvent cup until leakage discontinues. If this procedure does not aid in stopping the leakage problem, the upper packings may be worn (see lower pump disassembly). Replace the seals as necessary.

PUMP CONNECTION - UPPER / LOWER

NOTE: All threads are right hand.

1. Loosen (90606) lock nut and unscrew the entire pump from the air motor. This will expose (90609) retaining screw (see figure 2).
2. Unscrew (90609) retaining screw to remove pump assembly from the air motor.
3. Remove the (90608) shoulder nut to remove (90609) retaining screw.

PUMP CONNECTOR DETAIL

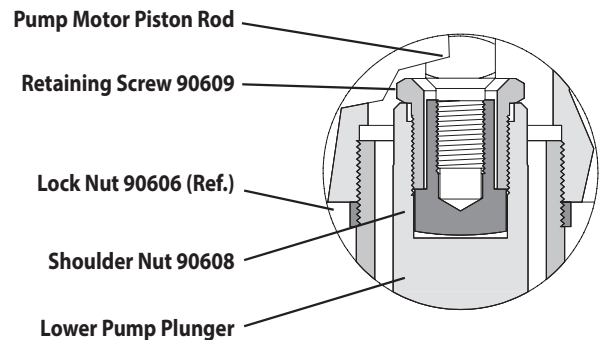
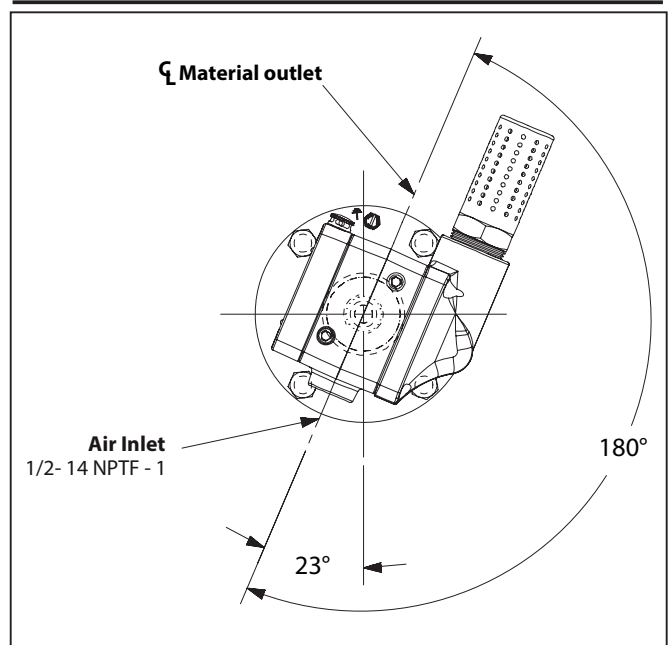


Figure 2

REASSEMBLY

1. Slide (90609) retaining screw over air motor rod (see figure 2).
2. Screw (90608) shoulder nut to air motor rod.
3. Apply Loctite® 242 to threads of (90609) retaining screw and screw (90609) retaining screw into lower pump plunger.
4. Screw the lower pump assembly to the air motor.
5. Position air motor exhaust port approximately 90° from lower pump outlet.
6. Screw (90606) lock nut against the air motor base and tighten to 50 - 65 ft. lbs (67.8 - 88.1 Nm).

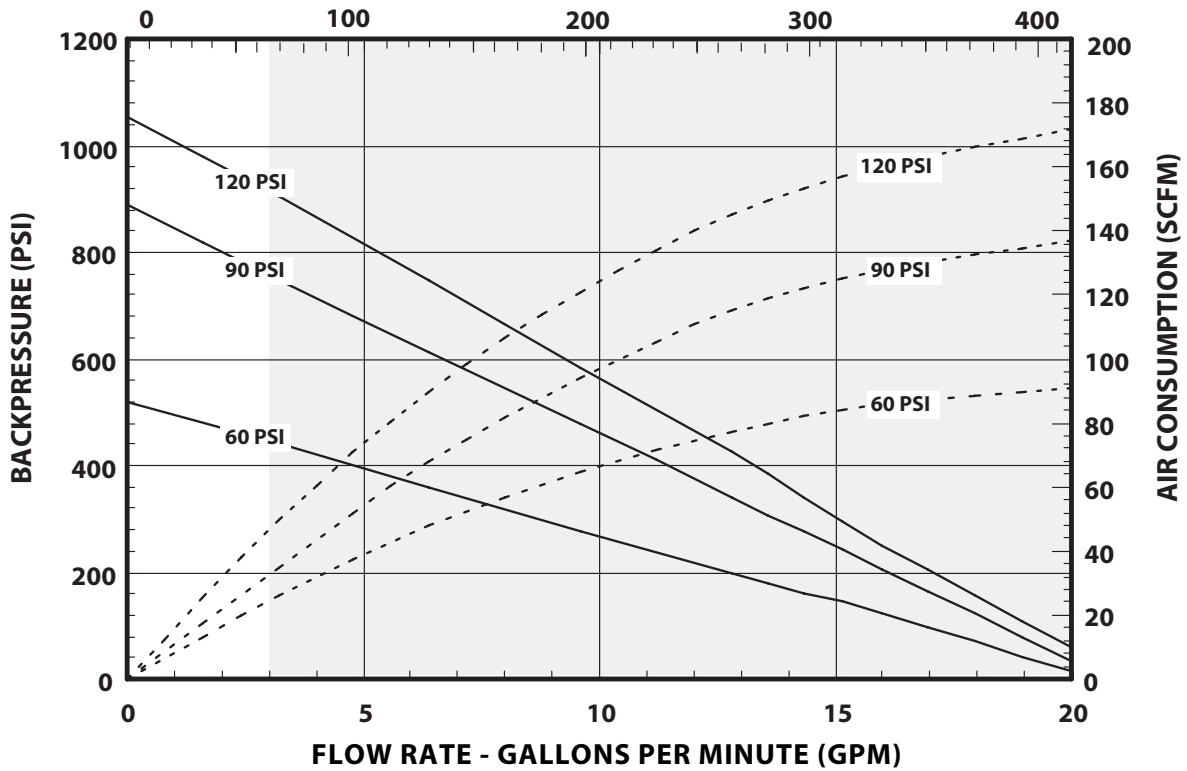
TOP VIEW



PERFORMANCE CURVES

PERFORMANCE BASED ON 30wt. OIL (100 cSt) AT 40° C TEMPERATURE

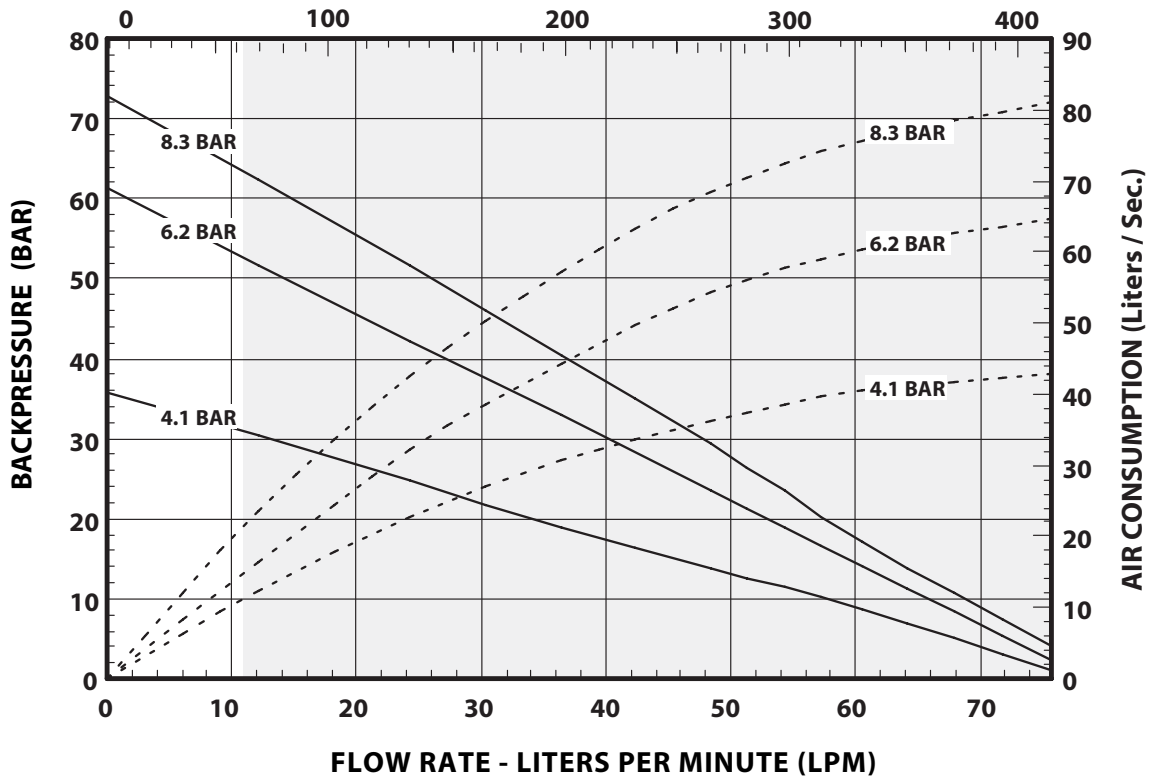
CYCLE PER MINUTE (CPM)



NOTE: NON SHADED AREA OF THE GRAPH REPRESENTS RECOMMENDED OPERATING RANGE

PERFORMANCE BASED ON 30wt. OIL (100 cSt) AT 40° C TEMPERATURE

CYCLE PER MINUTE (CPM)



NOTE: NON SHADED AREA OF THE GRAPH REPRESENTS RECOMMENDED OPERATING RANGE